

## PREFACE

This parts book is drawn based on real objects of the [CDM6150](#) hydraulic excavator, detailing in illustrations all parts (including standard parts, accessories and optional parts) fitted with [CDM6150](#) hydraulic excavator. Model and nameplate of the hydraulic excavator are marked in the noticeable place. Consumers, who are purchasing spare parts, may clearly mark, in the order, model and serial number of purchased excavator, and code, name and quantity of required parts.

With performance of hydraulic excavator increasingly improving and product design level rising, our company will better quality of some parts without further notice. Please contact dealers for any inquiries. Your attention will be appreciated.

For undetachable parts (weld assembly and riveted parts etc.) listed in this catalog, only part numbers are marked; for some of bought-in components, only structure diagrams are provided. Please note that bought-in components and their structures may have some differences.

This is the [second](#) issued version. We will appreciate corrections and editing suggestions from experts or readers may point out and correct our editing errors.

All rights reserved, unauthorized duplication and publish are a violation of applicable laws.

LONKING EXCAVATOR STRATEGIC BUSINESS UNIT



December, 2012

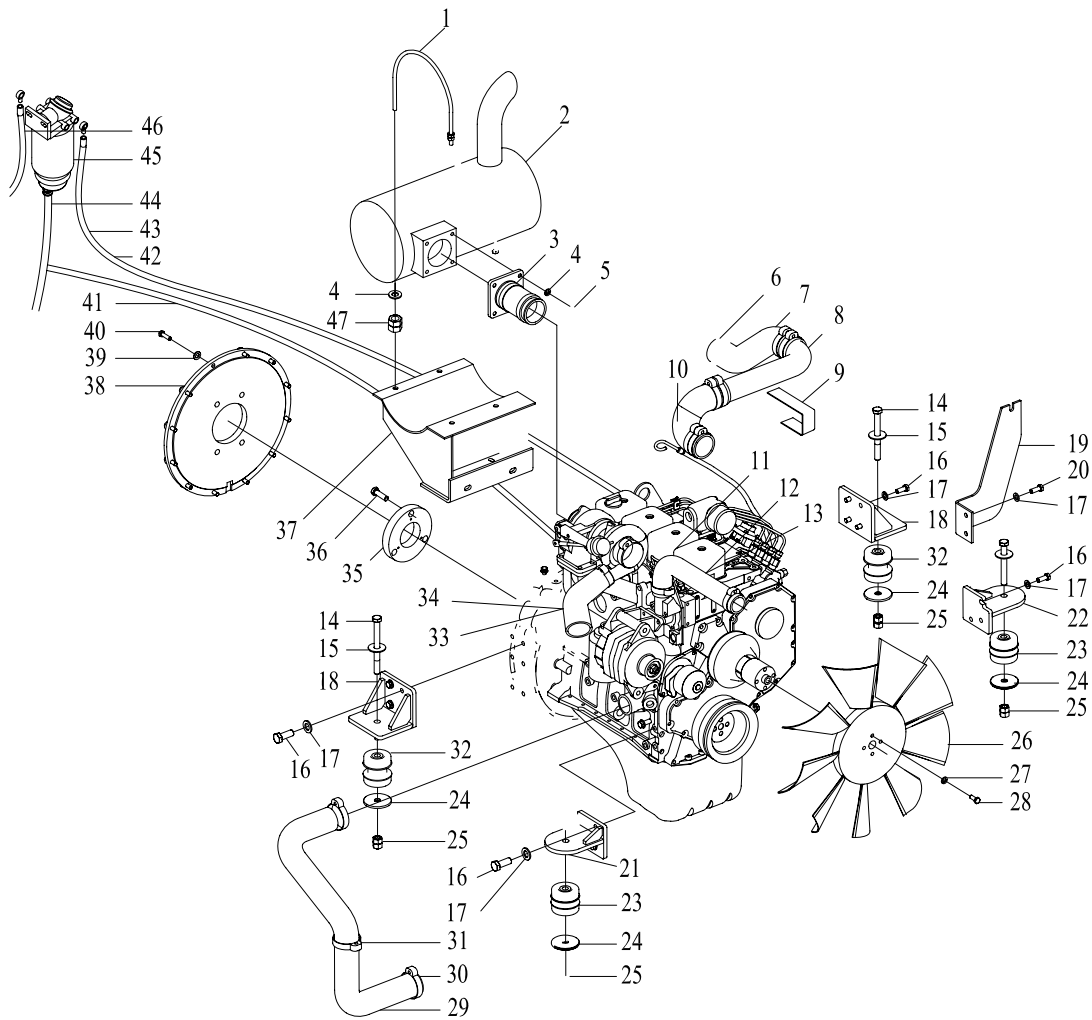
# 目 录

## CONTENTS

01	发动机 I ENGINE I .....	1
02	发动机 II ENGINE II .....	5
03	下车总成 UNDERCARRIAGE ASS'Y.....	9
04	引导轮 FRONT IDLER .....	11
05	支重轮 TRACK ROLLER .....	13
06	托链轮 CARRIER ROLLER .....	15
07	涨紧装置 IDLER CUSHION .....	17
08	履带 TRACK SHOE.....	19
09	平台总成 PLATFORM ASS'Y.....	21
10	主泵管路 MAIN PUMP LINES.....	23
11	主阀管路 I MAIN VALVE LINES I .....	27
12	主阀管路 II MAIN VALVE LINES II .....	29
13	主阀管路 III MAIN VALVE LINES III.....	31
14	先导管路 I PILOT LINES I .....	33
15	先导管路 II PILOT LINES II .....	35
16	先导管路 III PILOT LINES III.....	37
17	先导管路 IV PILOT LINES IV.....	39
18	下车管路 CHASSIS LINES.....	41
19	回油管路 I OIL RETURN LINES I .....	43
20	回油管路 II OIL RETURN LINES II .....	45
21	油箱 OIL TANK .....	47
22	燃油箱 FUEL TANK .....	49
23	支架总成 BRACKET ASS'Y.....	51

24	盖板总成 COVER BOARD ASS'Y.....	53
25	隔热板总成 THERMAL BAFFLE ASS'Y.....	55
26	车门组件 SIDE DOOR ASS'Y.....	57
27	配重总成 COUNTER WEIGHT ASS'Y.....	59
28	工具箱 TOOL KIT.....	61
29	机罩 HOOD.....	63
30	铲斗总成 BUCKET ASS'Y.....	65
31	动臂总成 BOOM ASS'Y.....	67
32	斗杆总成 ARM ASS'Y.....	69
33	工作装置管路 WORK EQUIPMENT LINES.....	71
34	动臂润滑管路 BOOM LUBRICATION PIPELINE.....	73
35	驾驶室 I OPERATOR'S CABIN I .....	75
36	驾驶室 II OPERATOR'S CABIN II .....	77
37	驾驶室 III OPERATOR'S CABIN II .....	79
38	驾驶室 IV OPERATOR'S CABIN II .....	81
39	驾驶室 V OPERATOR'S CABIN II .....	83
40	驾驶室 VI OPERATOR'S CABIN II .....	85
41	驾驶室 VII OPERATOR'S CABIN II .....	87
42	座椅安装 I SEAT MOUNTING I .....	89
43	座椅安装 II SEAT MOUNTING II .....	91
44	空调系统 AIR CONDITIONER SYSTEM.....	93
45	电气系统 I ELECTRICAL SYSTEM I .....	95
46	电气系统 II ELECTRICAL SYSTEM II .....	97
47	电气系统 III ELECTRICAL SYSTEM III.....	99
48	铭牌安置图 I NAMEPLATE RECOGNITION I .....	101
49	铭牌安置图 II NAMEPLATE RECOGNITION II .....	103
50	铭牌安置图 III NAMEPLATE RECOGNITION III.....	105
51	铭牌安置图 IV NAMEPLATE RECOGNITION IV .....	107

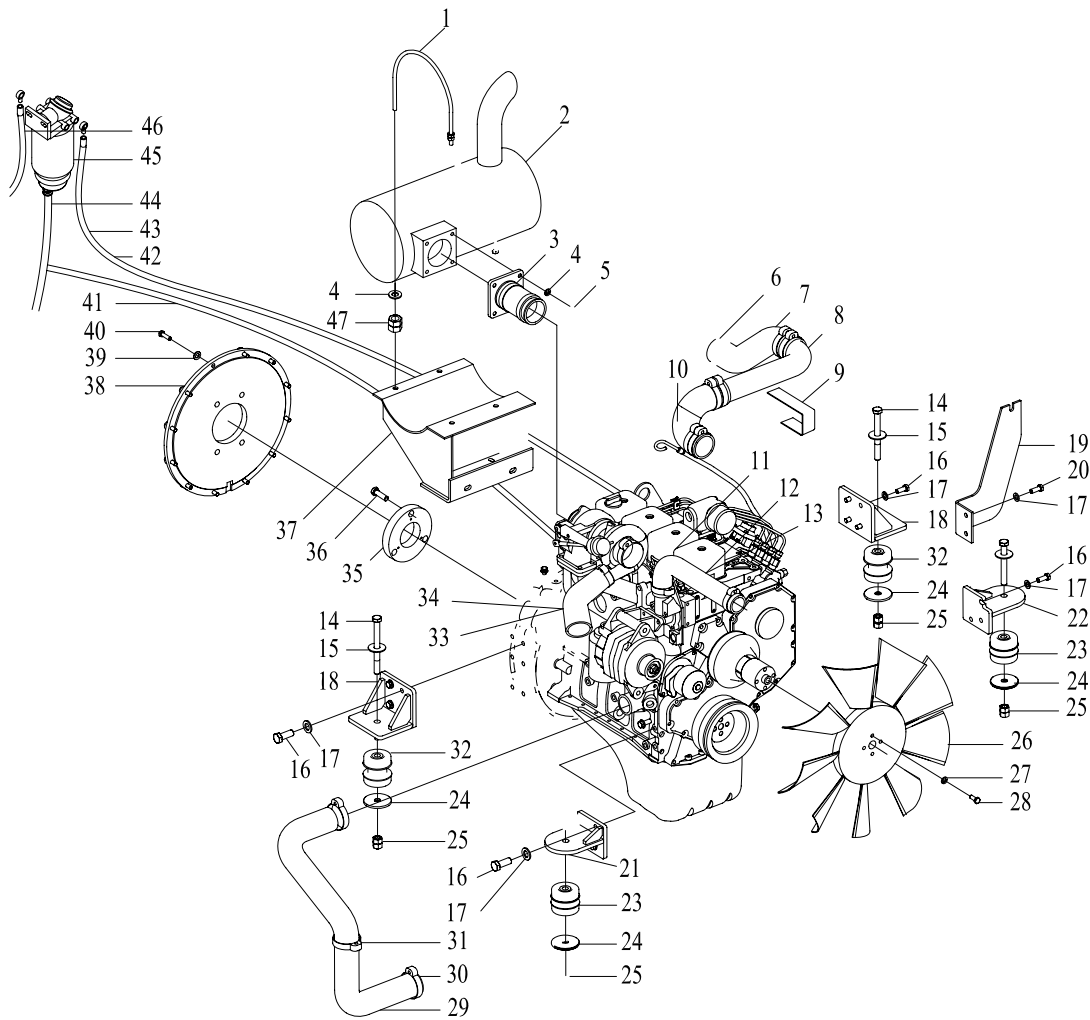
# 01 发动机 I ENGINE I



01 发动机 I  
ENGINE I

序号 NO.	代码 S.C	代号 CODE	零件名称 PART NAME	PART NAME 零件名称	数量 QTY	备注 NOTE
1	30601100252	LG6150.01-01	U形卡箍	U CLAMP	2	
2	60101100724	XJG-19-000	消音器	MUFFLER ASS'Y	1	
3	30601000107	LG6150.01.01	排气管	EXHAUST PIPE	1	
4	51421100121	GB/T97.1	垫圈 10	WASHER 10	4	
5	51204101222	GB/T5783	螺栓 M10×30	BOLT M10×30	8	
6	56931000501	SAE J1508	T形卡箍 70-78	T CLAMP 70-78	12	
7	30601100332	LG6150.01-14	进气胶管 V	AIR INLET HOSE V	1	
8	30601100364	LG6150.01-16	进气硬管 II	AIR INLET PIPE II	1	
9	30601100258	LG6150.01-15	钢管支架	PIPE BRACKET	2	
10	30601100333	LG6150.01-17	进气胶管 VI	AIR INLET HOSE VI	1	
11	60101000040	4BTAA3.9-C115	发动机	ENGINE	1	
12	30601100327	LG6150.01-04	出水管	WATER OUTLET HOSE	1	
13	60911011018	G9H4060	卡箍	CLAMP	2	
14	51203133021	GB/T5782	螺栓 M16×140	BOLT M16×140	4	
15	51420130122	GB/T96.1	垫圈 16	WASHER 16	4	
16	51204111222	GB/T5783	螺栓 M12×30	BOLT M12×30	14	
17	51421110121	GB/T97.1	垫圈 12	WASHER 12	14	
18	30601000080	LG6150.01.04	后支座	REAR BRACKET	2	
19	30601000078	LG6150.01.02	油门支架	BRACKET	1	
20	51204111122	GB/T5783	螺栓 M12×25	BOLT M12×25	4	
21	30601000083	LG6150.01.07	右前支座	RIGHT SUPPORT, FRONT	1	
22	30601000081	LG6150.01.05	左前支座	LEFT SUPPORT, FRONT	1	
23	60922010036	07Y-03-10000A-16.5	发动机前减震器	FRONT DAMPER	2	
24	30601100191	LG6085.01-15	垫圈	WASHER	4	
25	51307001322	GB/T6170	螺母 M16	NUT M16	8	
26	60980000296	MD09-610	风扇	FAN	1	
27	51421100121	GB/T97.1	垫圈 10	WASHER 10	4	
28	51203102921	GB/T5782	螺栓 M10×130	BOLT M10×130	4	
29	30601100330	LG6150.01-11	进水管	WATER INLET HOSE	1	
30	60911011001	G9H6080	卡箍 60-80	CLAMP 60-80	4	
31	60919010046	77系列 D1型	涂塑胶条 Q70	SEAL Q70	1	
32	60922010037	13Y-03-50000A	发动机后减震器	REAR DAMPER	2	
33	30601100325	LG6150.01-02	进气胶管 I	AIR INLET HOSE I	1	
34	56931000201	SAE J1508	T形卡箍 57-65	T CLAMP 57-65	1	
35	60980000292	CF-H-50-1-C0055	联轴器	COUPLING	1	
36	51203131821	GB/T5782	螺栓 M16×60	BOLT M16×60	4	
37	30601000079	LG6150.01.03A	消声器支架	BRACKET, MUFFLER	1	
38	30601100257	LG6150.01-12	主泵联接盘	CONJUNCTIVE PLATE	1	
39	51421100121	GB/T97.1	垫圈 10	WASHER 10	12	

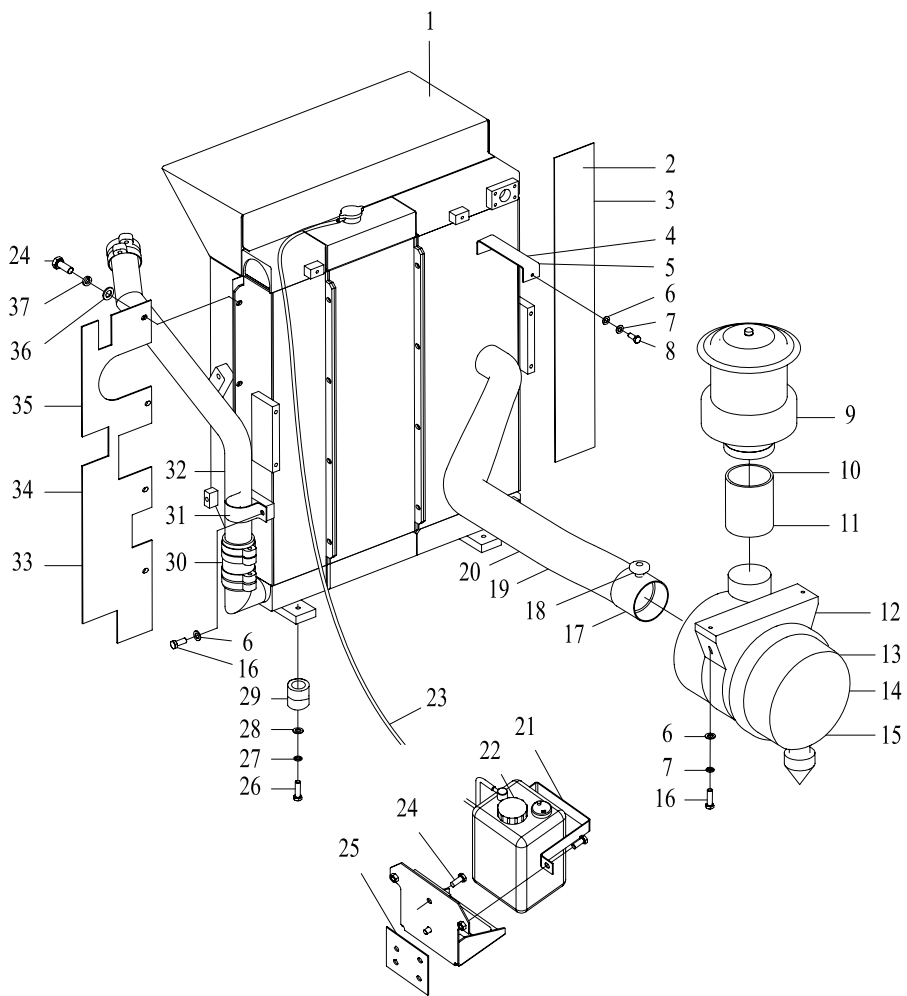
# 01 发动机 I ENGINE I



01 发动机 I  
ENGINE I

序号 NO.	代码 S.C	代号 CODE	零件名称 PART NAME	PART NAME 零件名称	数量 QTY	备注 NOTE
40	51204101222	GB/T5783	螺栓 M10×30	BOLT M10×30	12	
41	60911010609	Q/GHXF23	燃油管 Φ10/20×3000	FUEL PIPE Φ10/20×3000	1	
42	60911011558	Q/GHXF23	燃油管 Φ10/20×2000	FUEL PIPE Φ10/20×2000	1	
43	60911013576	G9H1222	卡箍12-22	CLAMP 12-22	7	
44	60911010602	GB7548	水管 Φ10×1000	WATER PIPE Φ10×1000	1	
45	60308000016	F076-B-001	油水分离器	WATER SEPARATOR	1	
46	60911010607	Q/GHXF23	燃油管 Φ10/20×1700	FUEL PIPE Φ10/20×1700	1	
47	51307001022	GB/T6170	螺母 M10	NUT M10	8	

## 02 发动机 II ENGINE II

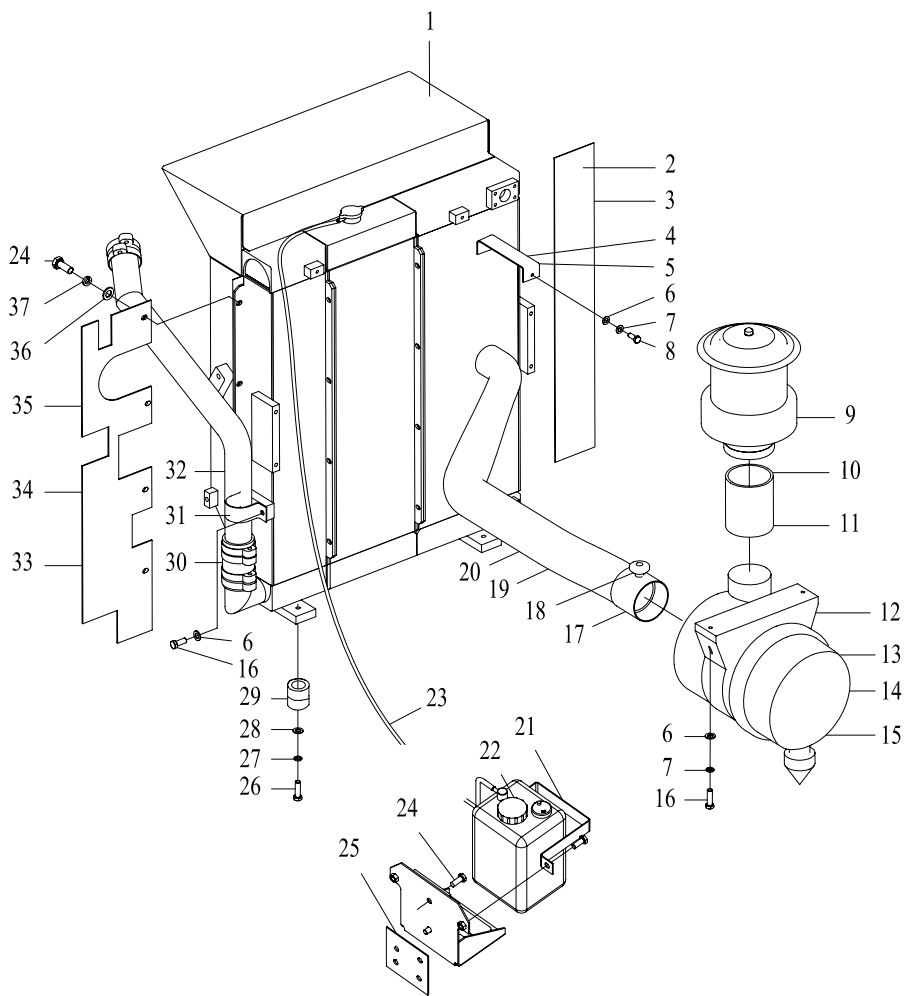




## 02 发动机 II ENGINE II

序号 NO.	代码 S.C	代号 CODE	零件名称 PART NAME	PART NAME 零件名称	数量 QTY	备注 NOTE
1	60102000035	4973.004.0000	散热器	RADIATOR ASS'Y	1	
2	30601100253	LG6150.01-06	隔热板 I	BAFFLE I	1	
3	60919010048	WD08	胶条 L1100	SEAL L1100	1	
4	30601100255	LG6150.01-09	撑板	SUPPORT	2	
5	51307000922	GB/T6170	螺母 M8	NUT M8	4	
6	51421090121	GB/T97.1	垫圈8	WASHER 8	2	
7	51401090122	GB/T93	垫圈8	WASHER 8	2	
8	51204091122	GB/T5783	螺栓 M8×25	BOLT M8×25	4	
9	60101100723	KA35	空气预滤器	AIR CLEANER	1	
10	30601100329	LG6150.01-08	进气胶管III	AIR INLET HOSE III	1	
11	56931000301	SAE J1508	T 形卡箍108-116	T CLAMP 108-116	2	
12	60980000290	3950040999	托架	BRACKET	1	
13	30001014800	30D-0111000	空滤气总成	AIR CLEANER ASS'Y	1	
14	60308000134	C20500	主滤芯	MAIN ELEMENT	1	
15	60308000135	CF500	安全芯	SAFETY ELEMENT	1	
16	51204091522	GB/T5783	螺栓 M8×45	BOLT M8×45	2	
17	60911010596	3950027979	空气接头	CONNECTOR, AIR	1	
18	60405020067	3906570902	压差开关	PRESSURE DIFFERENCE	1	
19	56931001601	SAE J1508	T 形卡箍102-110	T CLAMP 102-110	1	
20	30601100328	LG6150.01-05	进气胶管 II	AIR INLET HOSE II	1	
21	30601000086	LG6150.01.08	副水箱支架	BRACKET, AUXILIARY	1	
22	60102000002	20Y-06-15240	副水箱	AUXILIARY RADIATOR ASS'Y	1	
23	60911010116	GB7548	水管 Φ19×900	WATER PIPE Φ19×800	1	
24	51204101122	GB/T5783	螺栓 M10×25	BOLT M10×25	8	
25	30601000082	LG6150.01.06	水箱安装座	MOUNTING PLATE, RADIATOR	1	
26	51203112021	GB/T5782	螺栓 M12×70	BOLT M12×70	4	
27	51401110122	GB/T93	垫圈12	WASHER 12	4	
28	51421110121	GB/T97.1	垫圈12	WASHER 12	4	
29	60922010009	8065.208.0000	散热器减震器	DAMPER, RADIATOR	4	
30	30601100331	LG6150.01-13	进气胶管IV	AIR INLET HOSE IV	1	
31	60911010606	MQCP20	卡箍62-65	CLAMP 62-65	4	
32	30601100326	LG6150.01-03	进气硬管 I	AIR INLET PIPE I	1	
33	60919010047	WD08	胶条 L1500	SEAL L1500	1	
34	30601100256	LG6150.01-10	隔热板III	BAFFLE III	1	
35	30601100254	LG6150.01-07	隔热板 II	BAFFLE II	1	
36	51421100121	GB/T97.1	垫圈10	WASHER 10	6	
37	51401100122	GB/T93	垫圈10	WASHER 10	10	

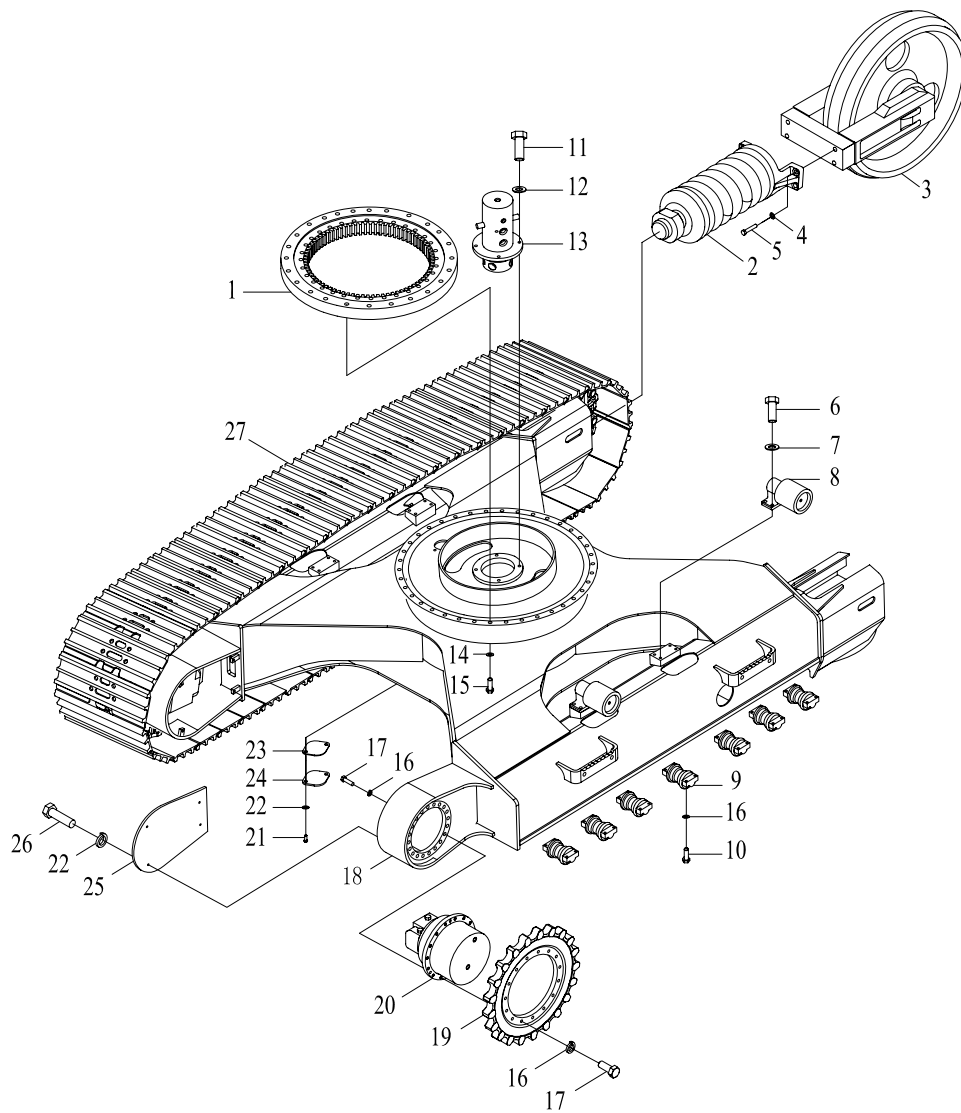
## 02 发动机 II ENGINE II



02 发动机 II  
ENGINE II

序号 NO.	代码 S.C	代号 CODE	零件名称 PART NAME	PART NAME 零件名称	数量 QTY	备注 NOTE
38	60911011016	G9H0812	卡箍8-12	CLAMP 8-12	2	

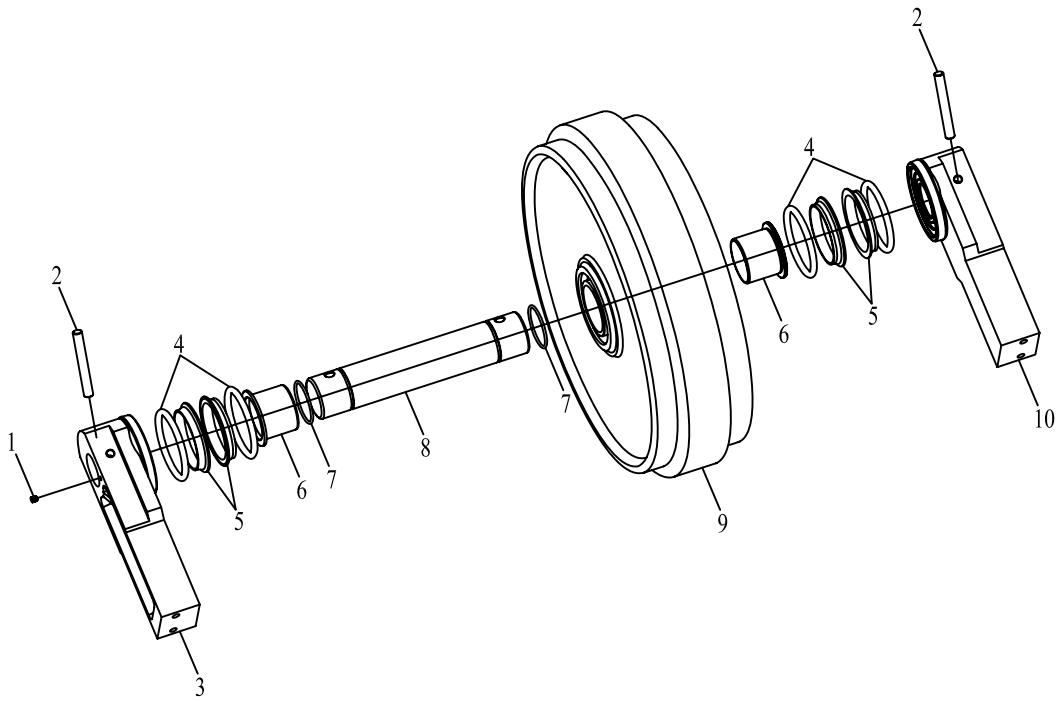
### 03 下车总成 UNDERCARRIAGE ASS'Y



03 下车总成  
UNDERCARRIAGE ASS'Y

序号 NO.	代码 S.C	代号 CODE	零件名称 PART NAME	PART NAME 零件名称	数量 QTY	备注 NOTE
1	60206000017	013.35.1060.021.34.15 F1	回转支承	SWING CIRCLE	1	
2	60206000019	SY130-175ZJ-00	涨紧装置	IDLER CUSHION	2	
3	60206000201	LGWY150	引导轮	FRONT IDLER	2	
4	51401120122	GB/T93	垫圈14	WASHER 14	8	
5	51203122221	GB/T5783	螺栓 M14×80	BOLT M14×80	8	
6	51204111222	GB/T5783	螺栓 M12×30	BOLT M12×30	4	
7	51401110122	GB/T93	垫圈12	WASHER 12	4	
8	60206000199	LGWT150	托链轮	CARRIER ROLLER	4	
9	60206000203	LGWZ150	支重轮	TRACK ROLLER	14	
10	51204134022	GB/T5783	螺栓 M16×70	BOLT M16×70	28	
11	51204121422	GB/T5783	螺栓 M14×40	BOLT M14×40	4	
12	51401120122	GB/T93	垫圈 14	WASHER 14	4	
13	60911011071	6ZWII18LKG	中央回转接头	CENTRAL SWING CONNECTOR	1	
14	51427150122	GB/T1230	垫圈 20	WASHER 20	36	
15	51204153822	GB/T5783	螺栓 M20×30	BOLT M20×30	36	
16	51401150122	GB/T93	垫圈 16	WASHER 16	98	
17	51204133022	GB/T5783	螺栓 M16×45	BOLT M16×45	70	
18	30613001082	LG6150.13.01	下车架	TRACK FRAME	1	
19	60203100026	LGWQ150	驱动轮	DRIVING WHEEL	2	
20	60206000020	TM22VC-A-45/74-1	行走马达	TRAVEL MOTOR	2	
21	51204101222	GB/T5783	螺栓 M10×30	BOLT M10×30	2	
22	51401100122	GB/T93	垫圈 10	WASHER 10	10	
23	30612100830	LG6150.13-02	胶垫	CUSHION	1	
24	30613100248	LG6150.13-03	黄油池下盖板	LOWER GREASE COVERING	1	
25	30613100247	LG6150.13-01	盖板	COVER BOARD	2	
26	51204101022	GB/T5783	螺栓 M10×20	BOLT M10×20	8	
27	17501505001	KU175F3/43*095*600	履带总成	TRACK ASS'Y	2	

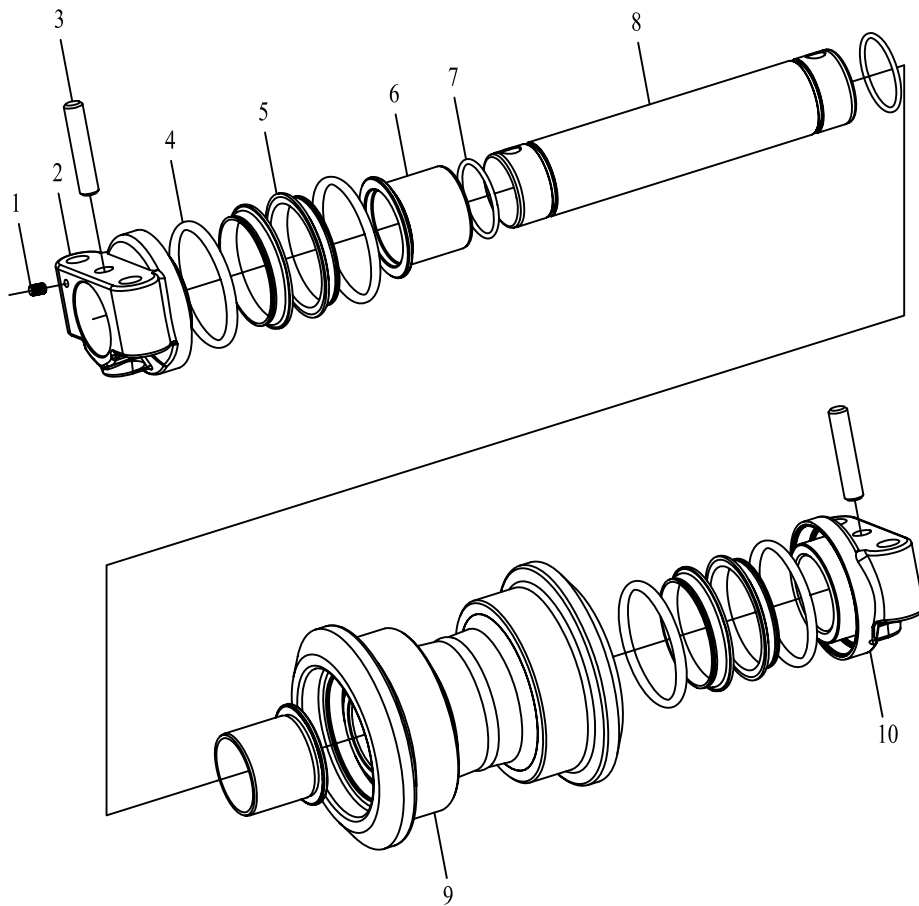
04 引导轮  
FRONT IDLER



04 引导轮  
**FRONT IDLER**

序号 NO.	代码 S.C	代号 CODE	零件名称 PART NAME	PART NAME 零件名称	数量 QTY	备注 NOTE
1		LGWZ085-06	螺塞 R1/8×7	PLUG SCREW	1	
2		GB/T119.1-2000	圆柱销14×80	PLUG 14×80	2	
3		LGWY150-05	引导轮支座 1	BRACKET 1	1	
4			O 形圈 85×9.3	O-RING 85×9.3	4	
5		LGWY150-03	浮封环	SEAL	4	
6		LGWY150-04	轴套	BUSHING	2	
7		CO0046-A1	O 形圈 47.7×3.5	O-RING 47.7×3.5	2	
8		LGWY150-01	引导轮轴	SHAFT	1	
9		LGWY150.01	引导轮焊合	FRONT IDLER	1	
10		LGWY150-02	引导轮支座 2	BRACKET 2	1	

05 支重轮  
TRACK ROLLER



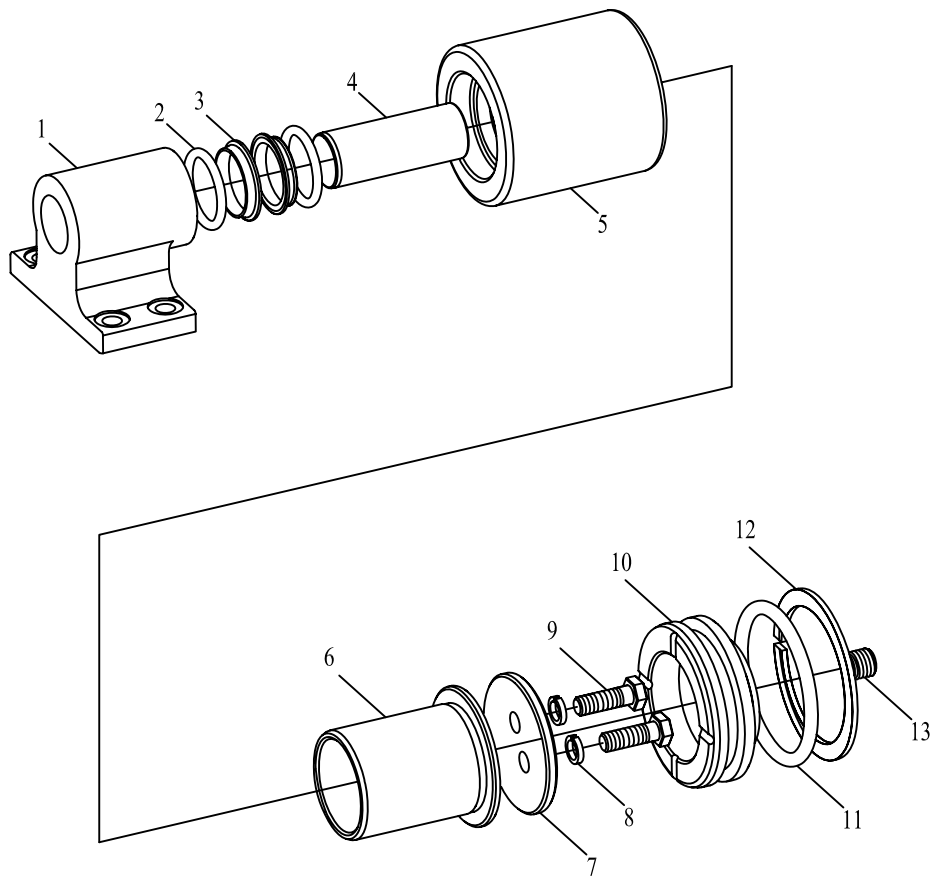


## 05 支重轮

## TRACK ROLLER

序号 NO.	代码 S.C	代号 CODE	零件名称 PART NAME	PART NAME 零件名称	数量 QTY	备注 NOTE
1		LGWZ085-06	螺塞 R1/8×7	PLUG SCREW R1/8×7	1	
2		LGWZ150-01	浮动油封座1	BRACKET 1	1	
3		GB/T119.1-2000	圆柱销 16×70	PLUG 16×70	2	
4			O形圈 85×9.3	O-RING 85×9.3	4	
5		LGWZ150-03	浮封环	SEAL	4	
6		LGWZ150-04	轴套	BUSHING	2	
7		COO204-AO	O形圈 44.4×3.1	O-RING 44.4×3.1	2	
8		LGWZ150-02	直轴	SHAFT	1	
9		LGWZ150.01	轮体焊合	TRACK ROLLER	1	
10		LGWZ150-05	浮动油封座 2	BRACKET 2	1	

06 托链轮  
CARRIER ROLLER

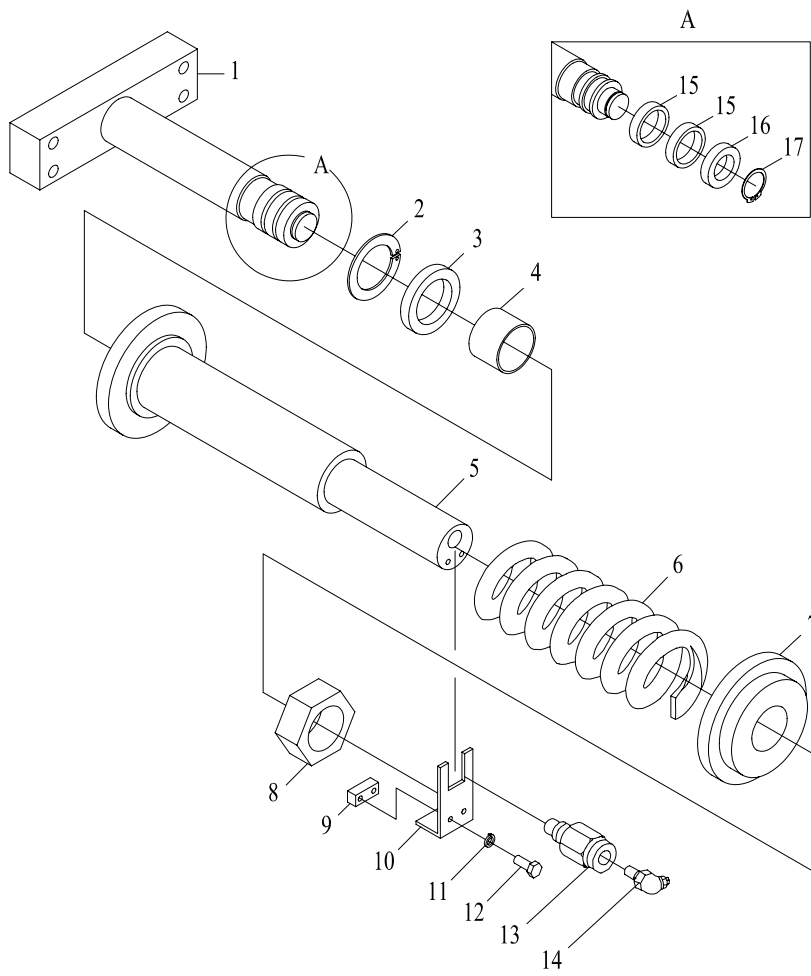


## 06 托链轮

**CARRIER ROLLER**

序号 NO.	代码 S.C	代号 CODE	零件名称 PART NAME	PART NAME 零件名称	数量 QTY	备注 NOTE
1		LGWT150A-01	托链轮支座	BRACKET	1	
2			O形圈48×6.4	O-RING 48×6.4	2	
3		LGWT085-04	浮封环	SEAL	2	
4		LGWT150A-02	托轮轴	SHAFT	1	
5		LGWT150A-04	托轮体	CARRIER ROLLER BODY	1	
6		LGWT150A-05	轴套	BUSHING	2	
7		LGWT150A-06	止推板	THRUST PLATE	1	
8		LGWT150A-08	弹簧垫圈 8	SPRING WASHER 8	2	
9		GB/T5783-2000	螺栓 M8×20	BOLT M8×20	2	
10		LGWT150A-07	托轮盖	COVER, CARRIER ROLLER	1	
11		CO0054-A2	O形圈 59.6×5.7	O-RING 59.6×5.7	1	
12		GB/T893.1-2000	孔用弹性挡圈 70	CIRCLIP FOR HOLE 70	1	
13		LGWT085-06	内六角螺塞 R1/8×7	SOCKET PLUG SCREW	1	

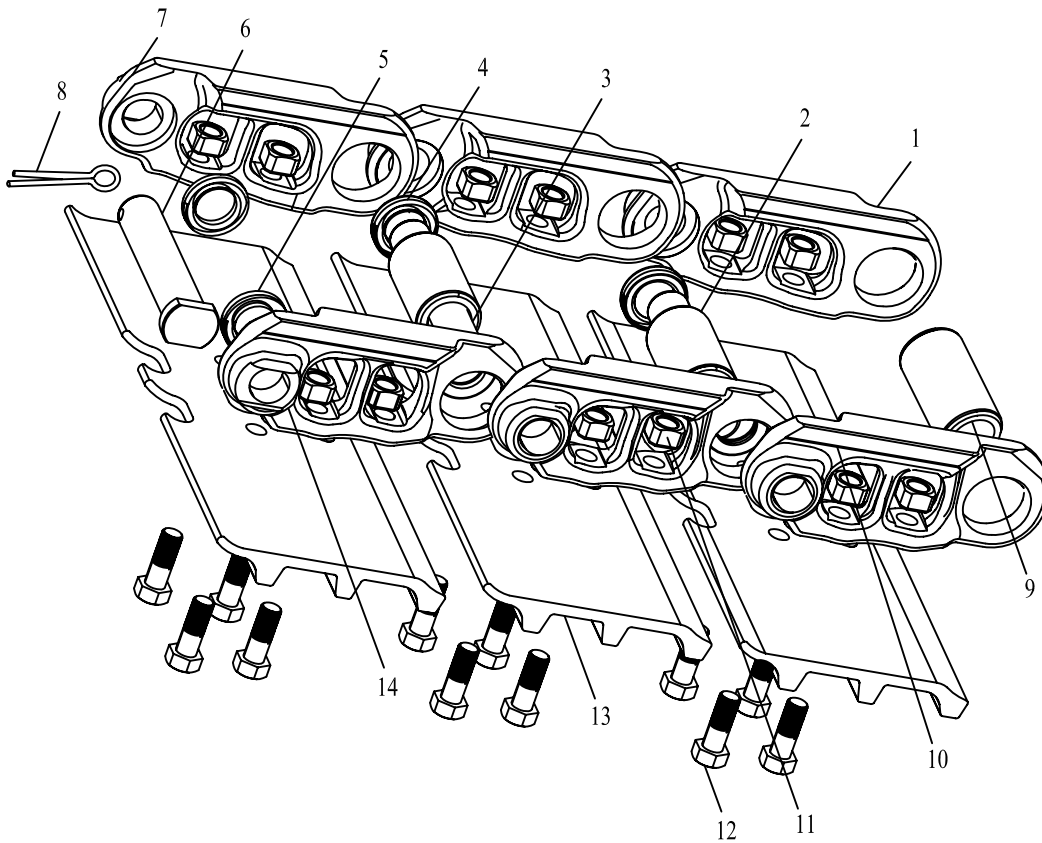
# 07 涨紧装置 IDLER CUSHION



07 涨紧装置  
IDLER CUSHION

序号 NO.	代码 S.C	代号 CODE	零件名称 PART NAME	PART NAME 零件名称	数量 QTY	备注 NOTE
1		13-20-060100	柱塞	PLUGER	1	
2		04077-00075	挡圈	RETAINER	1	
3		09370-00060	密封圈	SEAL	1	
4		13-20-0600002	衬套	BUSH	1	
5		13-20-060200	油缸	CYLINDER	1	
6		13-20-060003	弹簧	SPRING	1	
7		13-20-060004	盘	PLATE	1	
8		13-20-060005	螺母	NUT	1	
9		13-20-060006	座	SEAT	1	
10		13-20-060007	锁板	LOCKING PLATE	1	
11		01643-30823	垫圈8	WASHER 8	2	
12		01010-50830	螺栓 M8×30	BOLT M8×30	2	
13		13-20-060300	阀	VALVE	1	
14		07020-009000	黄油嘴	GREASE FITTING	1	
15		07155-00615	磨损修正圈	WEARING RING	2	
16		13-20-0600001	密封圈	SEAL	1	
17		04064-03515	挡圈	RETAINER	1	

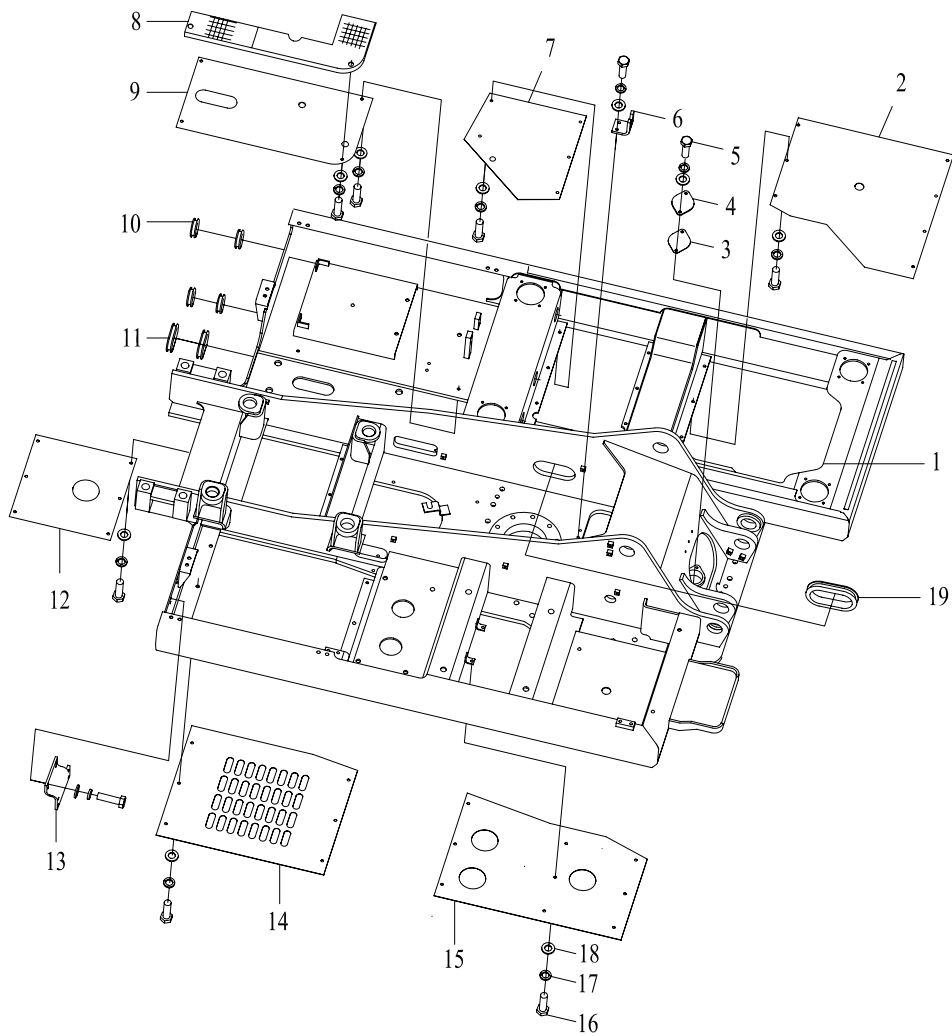
08 履帶  
TRACK SHOE



08 履带  
TRACK SHOE

序号 NO.	代码 S.C	代号 CODE	零件名称 PART NAME	PART NAME 零件名称	数量 QTY	备注 NOTE
1		LGWL150-02	右链节	TRACK LINK R.H.	42	
2		LGWL150-03	销套	BUSHING	42	
3		LGWL150-04	销轴	PIN	42	
4		LGWL150-05	密封圈	SEAL	84	
5		LGWL150-06	销垫	GASKET	2	
6		LGWL150-07	活销	PIN	1	
7		LGWL150-10	右链节接头	JOINT	1	
8		LGWL150-14	插销	PLUG PIN	1	
9		LGWL150-08	活销套	BUSHING	1	
10		LGWL150-01	左链节	TRACK LINK L.H.	42	
11		LGWL150-13	螺母	NUT	172	
12		LGWL150-12	螺栓	BOLT	172	
13		LGWL150-11	履带板	TRACK SHOE	43	
14		LGWL150-09	左链节接头	JOINT	1	

# 09 平台总成 PLATFORM ASS'Y

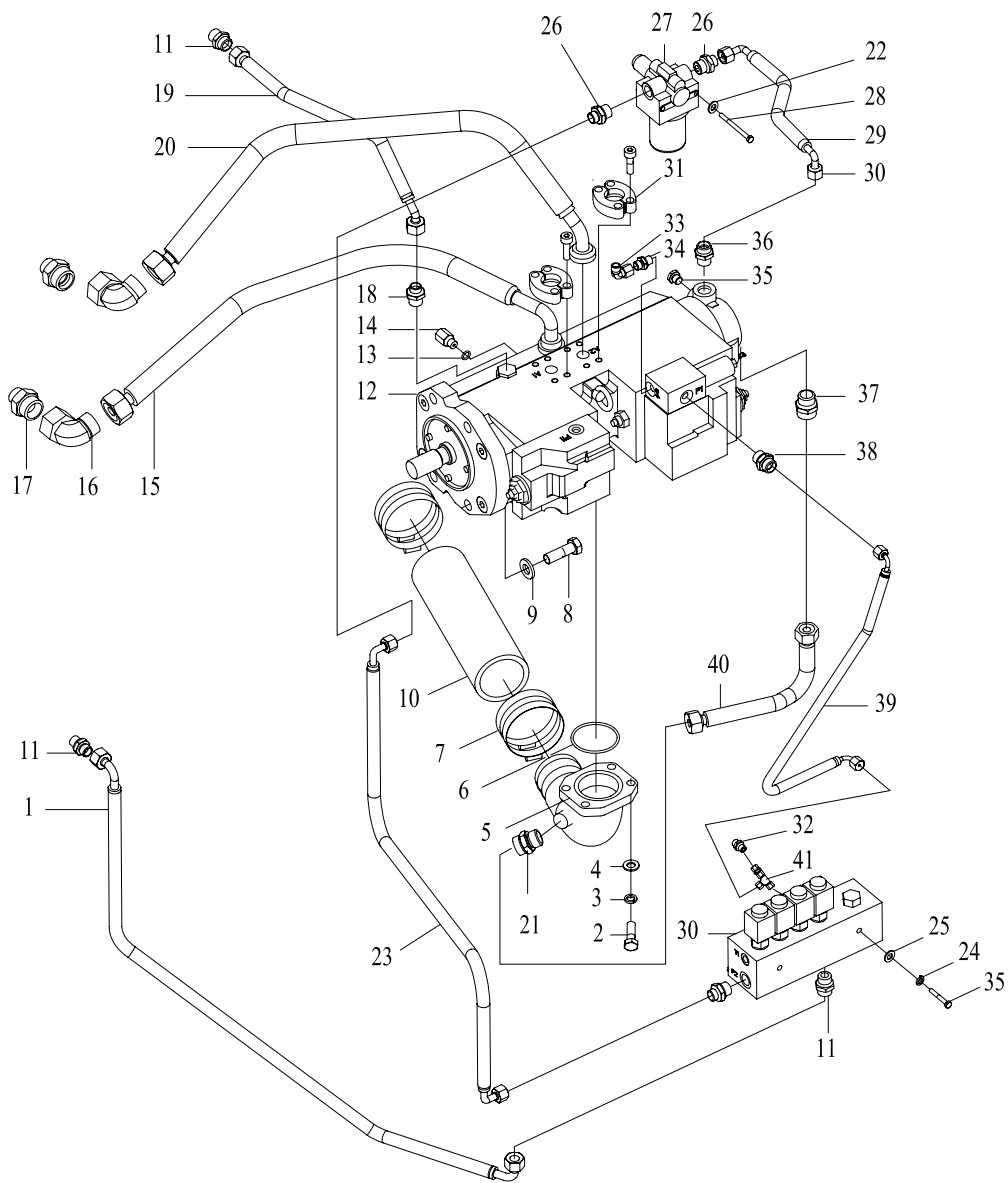




09 平台总成  
PLATFORM ASS'Y

序号 NO.	代码 S.C	代号 CODE	零件名称 PART NAME	PART NAME 零件名称	数量 QTY	备注 NOTE
1	30612000164	LG6150.12.01	平台	PLATFORM WELDING	1	
2	30612100701	LG6150.12-01	底封板1	BOTTOM SEAL PLATE 1	1	
3	30612100830	LG6150.13-02	胶垫	CUSHION	1	
4	30613100248	LG6150.13-03	黄油池下盖板	LOWER GREASE COVERING	1	
5	51204101022	GB/T5783	螺栓 M10×20	BOLT M10×20	2	
6	30612000165	LG6150.12.02	卡板	PLATE	1	
7	30612100702	LG6150.12-02	底封板2	BOTTOM SEAL PLATE 2	1	
8	30612100829	LG6150.12-09	海绵	SPONGE	1	
9	30612100703	LG6150.12-03	底封板3	BOTTOM SEAL PLATE 3	1	
10	30612100629	LG6230.12-17	橡胶圈6	RUBBER GASKET 6	4	
11	30612100627	LG6230.12-14	橡胶圈4	RUBBER GASKET 4	2	
12	30612100704	LG6150.12-04	底封板4	BOTTOM SEAL PLATE 4	1	
13	30612100707	LG6150.12-08	阀座	VALVE SEAT	1	
14	30612100705	LG6150.12-05	底封板5	BOTTOM SEAL PLATE 5	1	
15	30612100706	LG6150.12-06	底封板6	BOTTOM SEAL PLATE 6	1	
16	51204101222	GB/T5783	螺栓 M10×30	BOLT M10×30	44	
17	51401100122	GB/T93	弹簧垫圈10	SPRING WASHER 10	46	
18	51430100116	GB/T5287	垫圈10	WASHER 10	46	
19	30612100626	LG6230.12-13	橡胶圈3	RUBBER GASKET 3	1	

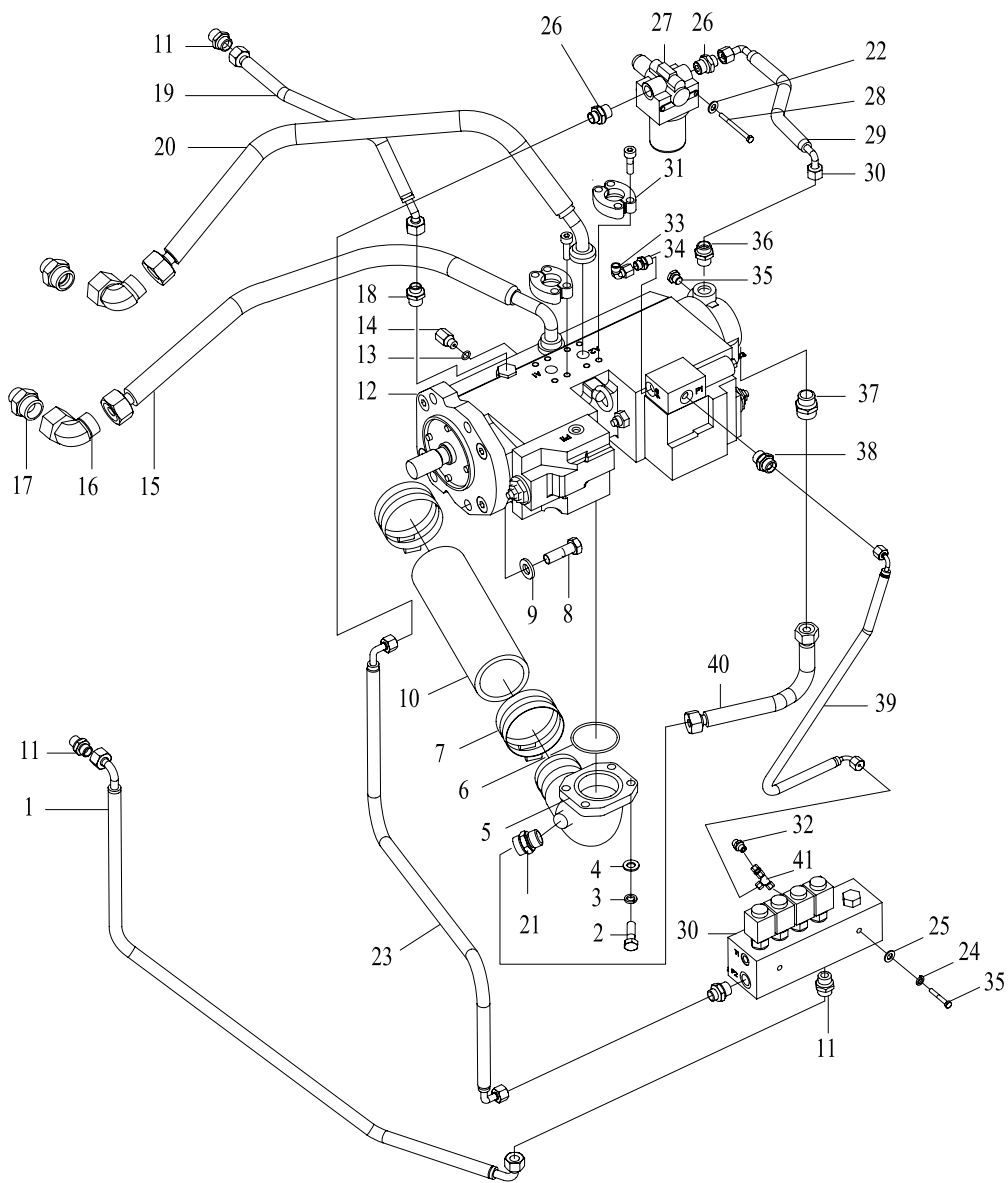
# 10 主泵管路 MAIN PUMP LINES



## 10 主泵管路 MAIN PUMP LINES

序号 NO.	代码 S.C	代号 CODE	零件名称 PART NAME	PART NAME 零件名称	数量 QTY	备注 NOTE
1	17272000657	F421CFCF151508- 1100-180°	胶管总成	HOSE ASS'Y	1	
2	51139230408	GB/T70.1	螺栓 M12×35	BOLT M12×35	4	
3	51401110122	GB/T93	弹簧垫圈12	SPRING WASHER,12	4	
4	51421110121	GB/T97.1	平垫圈12	PLAIN WASHER 12	4	
5	30605000136	LG6150.05.01.01	吸油接头	CONNECTOR, SUCTION	1	
6	56900000704	AS568	O形圈 Φ69.44×3.53	O-RING Φ69.44×3.53	1	
7	56931001701	SAE J1508	卡箍(86-94)	CLAMP(86-94)	4	
8	51139250708	GB/T70.1	螺栓 M16×55	BOLT M16×55	4	
9	51421130121	GB/T97.1	垫圈16	WASHER 16	4	
10	30605100310	LG6150.05.01-01	吸油胶管	OIL SUCTION HOSE	1	
11	60911010009	1B-08WD	端直通接头	END STRAIGHT CONNECTOR	3	
12	60301000227	K3V63DT-1X7R- 9N4H-1AV	主泵	MAIN PUMP	1	
13	56145046605	GB/T3452.1	O形圈 Φ10.8×2.4	O-RING Φ10.8×2.4	2	
14	17601000753	L5B-04	过渡接头	TRANSITION CONNECTOR	2	
15	17272000608	F371C96N251212-850	胶管总成	HOSE ASS'Y	1	
16	60911010389	2F9-16	直角接头	RIGHT-ANGLE CONNECTOR	2	
17	60911010384	1FG-16-12B2351	端直通接头	END STRAIGHT CONNECTOR	2	
18	60911010018	1BG-08B 2351	端直通接头	END STRAIGHT CONNECTOR	1	
19	17272000653	F421CAC151508-450 CACF	胶管总成	HOSE ASS'Y	1	
20	17272000609	F371C96F251212-900	胶管总成	HOSE ASS'Y	1	
21	60911010011	1B-12WD	端直通接头	END STRAIGHT CONNECTOR	1	
22	51421080121	GB/T97.1	平垫圈 6	MAIN PUMP	2	
23	17272003376	F481CACF080804- 550	胶管总成	HOSE ASS'Y	1	
24	51421100121	GB/T97.1	垫圈 10	WASHER 10	4	
25	51401100122	GB/T93	垫圈 10	WASHER 10	4	
26	60911010082	1B-06-08WD	端直通接头	END STRAIGHT CONNECTOR	3	
27	60308000153	MDM101FD1CB372X	过滤器	FILTER	1	
28	51203081821	GB/T5782	螺栓 M6×60	BOLT M6×60	2	
29	17272000656	F481CCF121206-350- 270°	胶管总成	HOSE ASS'Y	1	
30	60304000112	1010066	电磁阀集成块	SOLENOID VALVE PACKAGE	1	
31	60911010129	M2M2HK-12	法兰组件	FLANGE COMPONENT	2	
32	60480030001	EMA3/1/4ED	测压接头	PRESSURE CONNECTOR	1	
33	60911010113	CYZ-04	直角接头	RIGHT-ANGLE CONNECTOR	1	
34	60911010016	1BG-04B 2351	端直通接头	END STRAIGHT CONNECTOR	2	

# 10 主泵管路 MAIN PUMP LINES

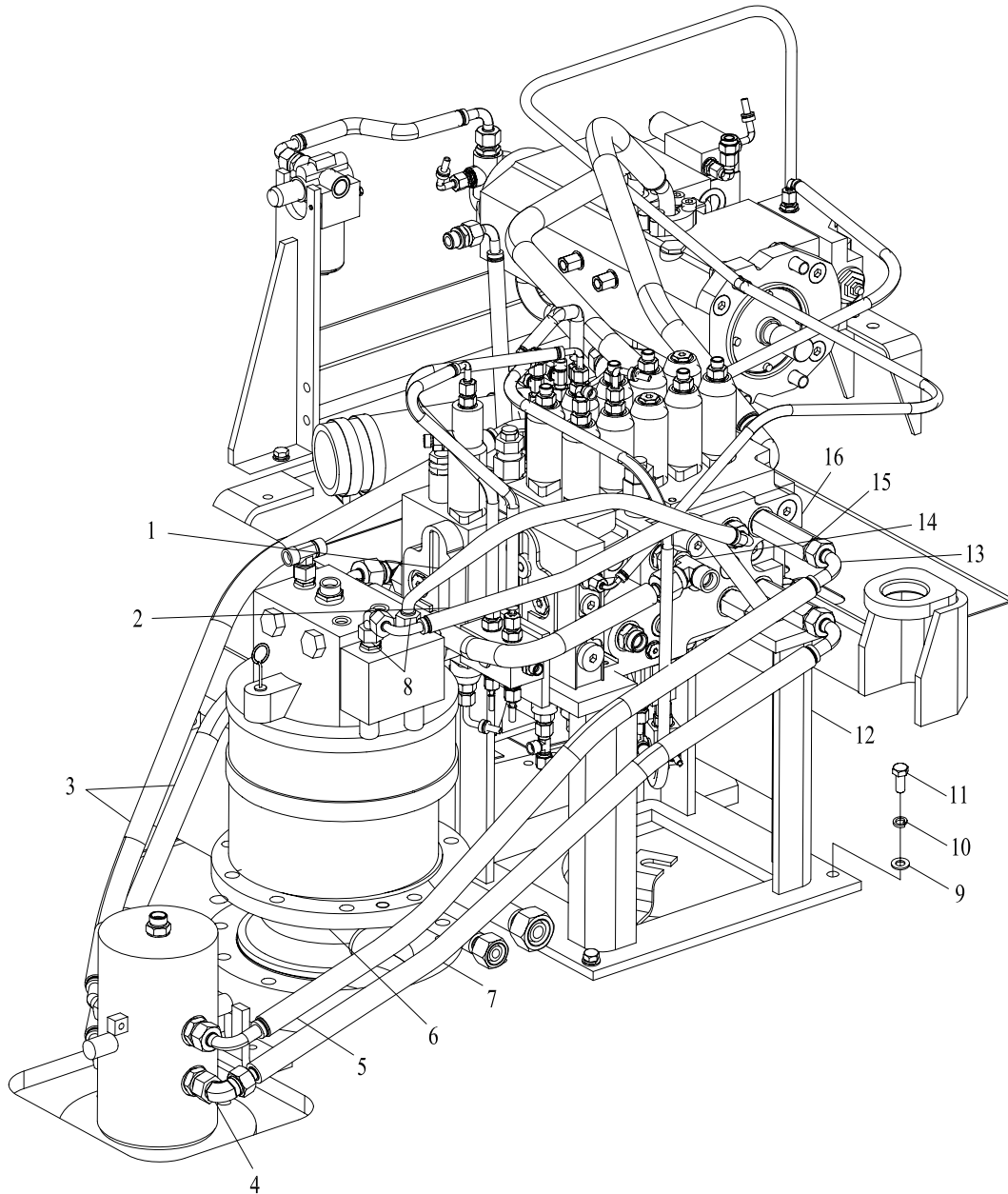


## 10 主泵管路

## MAIN PUMP LINES

序号 NO.	代码 S.C	代号 CODE	零件名称 PART NAME	PART NAME 零件名称	数量 QTY	备注 NOTE
35	51204101122	GB/T5783	螺栓 M10×25	BOLT M10×25	4	
36	60911010082	1BG-06-08B 2351	端直连接头	END STRAIGHT CONNECTOR	1	
37	60911010016	1BG-04B 2351	端直连接头	END STRAIGHT CONNECTOR	1	
38	60911010016	1BG-04B 2351	端直连接头	END STRAIGHT CONNECTOR	1	
39	17272003376	F481CACF080804- 550	胶管总成	HOSE ASS'Y	1	
40	17272000663	F811CACF222212- 800-PG800	胶管总成	HOSE ASS'Y	1	
41	60911010598	CYL-04-04G	三通接头	THREE-WAY CONNECTOR	1	

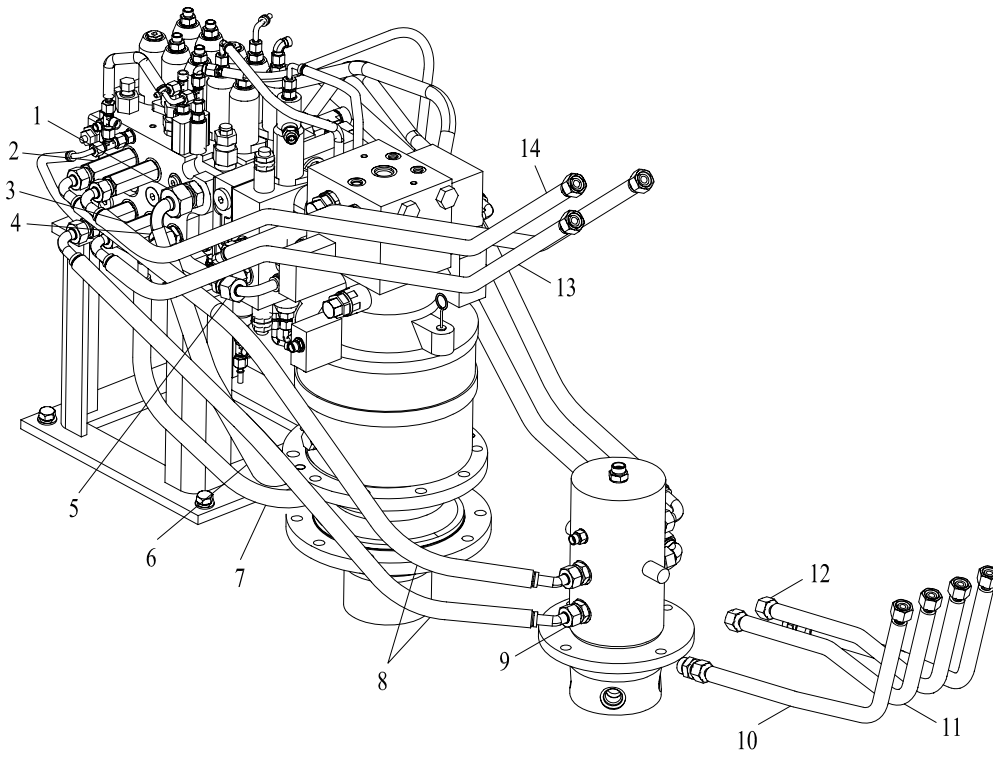
# 11 主阀管路 I MAIN VALVE LINES I



11 主阀管路 I  
MAIN VALVE LINES I

序号 NO.	代码 S.C	代号 CODE	零件名称 PART NAME	PART NAME 零件名称	数量 QTY	备注 NOTE
1	17272000603	F371C91C161610-800	胶管总成	HOSE ASS'Y	1	
2	17272000604	F371C91C161610-900	胶管总成	HOSE ASS'Y	1	
3	17272000767	F3711C1C161610- 1520-PG1370	胶管总成	HOSE ASS'Y	2	
4	60911010588	1FG-10-12B2351	直通接头	STRAIGHT CONNECTOR	4	
5	17272000616	F371OC1C161610- 1550-PG500	胶管总成	HOSE ASS'Y	1	
6	60302000008	M2X63CHB-13A- 72/255RG06D19G6	回转马达	SWING MOTOR	1	
7	17272000615	F371OC1C161610- 1350-PG500	胶管总成	HOSE ASS'Y	1	
8	60911010585	1FG-10-08B2351	直通接头	STRAIGHT CONNECTOR	2	
9	51421110121	GB/T97.1	垫圈 12	WASHER 12	12	
10	51401110122	GB/T93	垫圈 12	WASHER 12	12	
11	51204111522	GB/T5783	螺栓 M12×45	BOLT M12×45	4	
12	30605000107	LG6150.05A.02.01	主阀支架	MAIN VALVE FRAME	1	
13	60911013573	1FG-10-12/10 B2351	直通接头	STRAIGHT CONNECTOR	1	
14	60911010597	CF-12	三通接头	THREE-WAY CONNECTOR	1	
15	60911010586	1FG-10-12/30B2351	加长直通接头	LENGTHEN STRAIGHT CONNECTOR	2	
16	60304000115	KMX13R/B33017-01	主阀	MAIN VALVE	1	

## 12 主阀管路 II MAIN VALVE LINES II

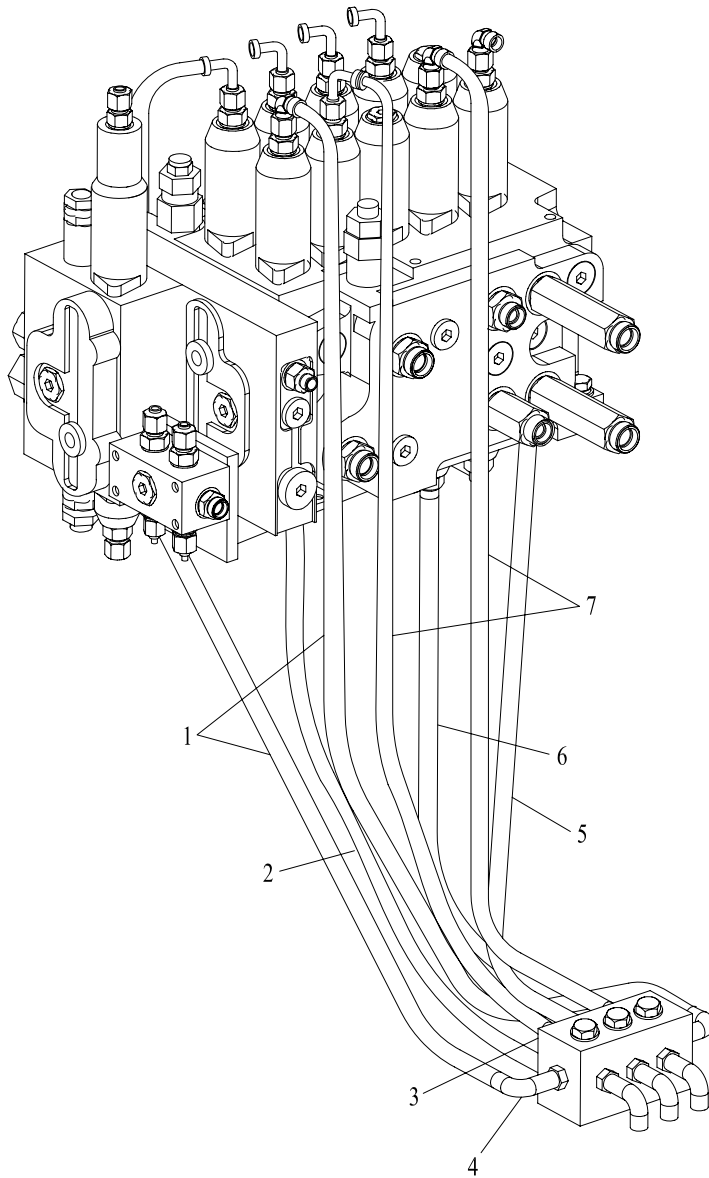




12 主阀管路 II  
MAIN VALVE LINES II

序号 NO.	代码 S.C	代号 CODE	零件名称 PART NAME	PART NAME 零件名称	数量 QTY	备注 NOTE
1	60911010389	2F9-16	直角接头	RIGHT-ANGLE CONNECTOR	2	
2	60911010587	1FG-10-12/50B2351	加长直通接头	LENGTHEN STRAIGHT CONNECTOR	1	
3	60911010591	1FG-12/84B2351	加长直通接头	LENGTHEN STRAIGHT CONNECTOR	1	
4	60911010384	1FG-16-12B2351	直通接头	STRAIGHT CONNECTOR	1	
5	60911010026	2F9-12	直角接头	RIGHT-ANGLE CONNECTOR	2	
6	17272000792	F371C9C9252512-530	胶管总成	HOSE ASS'Y	1	
7	17272000768	F3711C1C202010- 620-90°	胶管总成	HOSE ASS'Y	1	
8	17272000767	F3711C1C161610- 1520-PG1370	胶管总成	HOSE ASS'Y	2	
9	60911010589	1FG-10-12B2351- P22.4	直通接头	STRAIGHT CONNECTOR	4	
10	17272000612	F371C9C9161610- 680-PG680	胶管总成	HOSE ASS'Y	2	
11	17272000772	F371C9C9161610- 650-PG650	胶管总成	HOSE ASS'Y	2	
12	60911010590	1FG-10-12WD	直通接头	STRAIGHT CONNECTOR	4	
13	17272000793	F371C91C161610- 1720-PG1720	胶管总成	HOSE ASS'Y	1	
14	17272002240	F371C91C161610-	胶管总成	HOSE ASS'Y	1	

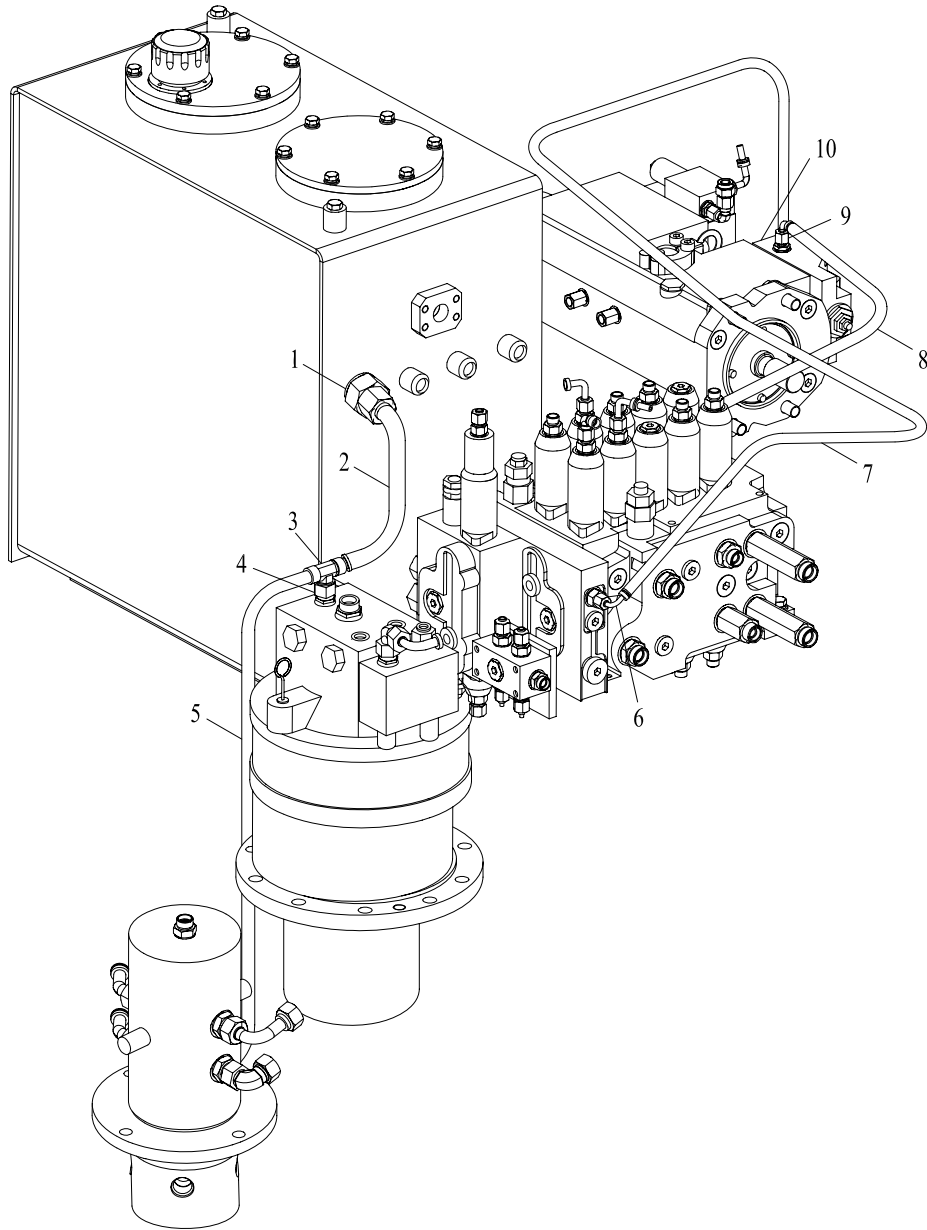
### 13 主阀管路 III MAIN VALVE LINES III



13 主阀管路 III  
MAIN VALVE LINES III

序号 NO.	代码 S.C	代号 CODE	零件名称 PART NAME	PART NAME 零件名称	数量 QTY	备注 NOTE
1	17272000634	F481CACF080804- 1900-PG1000	胶管总成	HOSE ASS'Y	2	
2	17272000778	F481CACA121206- 1450-PG1000	胶管总成	HOSE ASS'Y	1	
3	60911010003	1B-06-04WD	直通接头	STRAIGHT CONNECTOR	4	
4	60911010089	2B9-04	直角接头	RIGHT-ANGLE CONNECTOR	2	
5	17272000635	F481CACF080804- 2000-PG1000	胶管总成	HOSE ASS'Y	1	
6	17272000629	F481CACA121206- 1600-PG1000	胶管总成	HOSE ASS'Y	1	
7	17272000650	F481CACF121206- 1900-PG1000	胶管总成	HOSE ASS'Y	2	

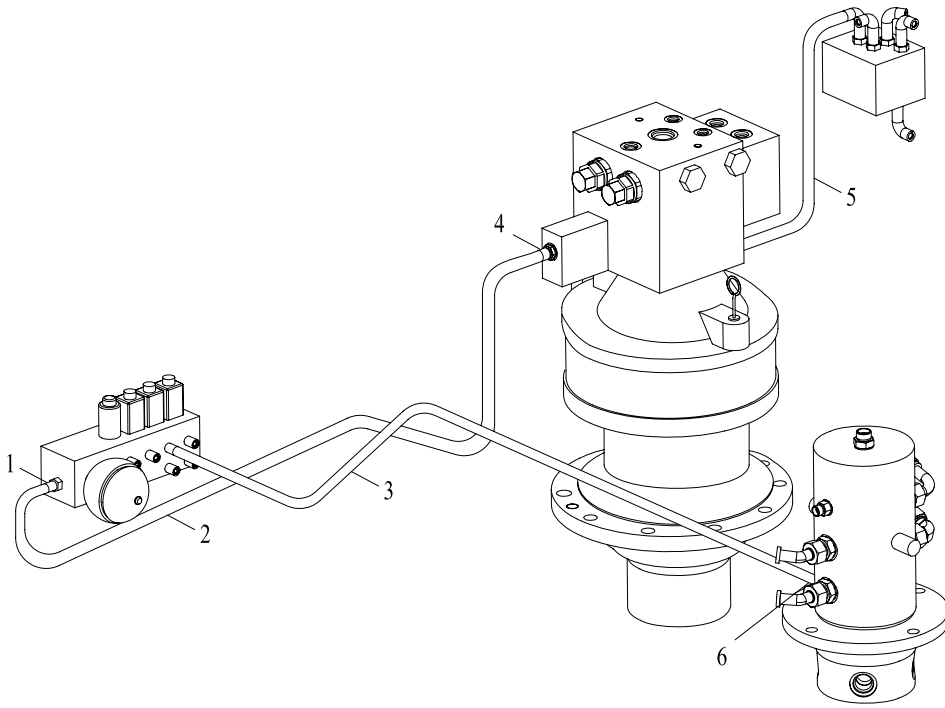
# 14 先导管路 I PILOT LINES I



14 先导管路 I  
PILOT LINES I

序号 NO.	代码 S.C	代号 CODE	零件名称 PART NAME	PART NAME 零件名称	数量 QTY	备注 NOTE
1	60911010009	1B-08WD	直通接头	STRAIGHT CONNECTOR	1	
2	17272000381	F481CACF151508- 500	胶管总成	HOSE ASS'Y	1	
3	60911010109	CB-08	三通接头	THREE-WAY CONNECTOR	1	
4	60911010380	1BG-08-06B2351	直通接头	STRAIGHT CONNECTOR	1	
5	17272002239	F481CACE151508- 600	胶管总成	HOSE ASS'Y	1	
6	60911010089	2B9-04	直角接头	RIGHT-ANGLE CONNECTOR	1	
7	17272000777	F481CACA080804- 2100	胶管总成	HOSE ASS'Y	1	
8	17272000784	F481CACF080804- 1600	胶管总成	HOSE ASS'Y	1	
9	60911010599	CYP-04-04G	三通接头	THREE-WAY CONNECTOR	1	
10	60911010600	CYS-04-04G	三通接头	THREE-WAY CONNECTOR	1	

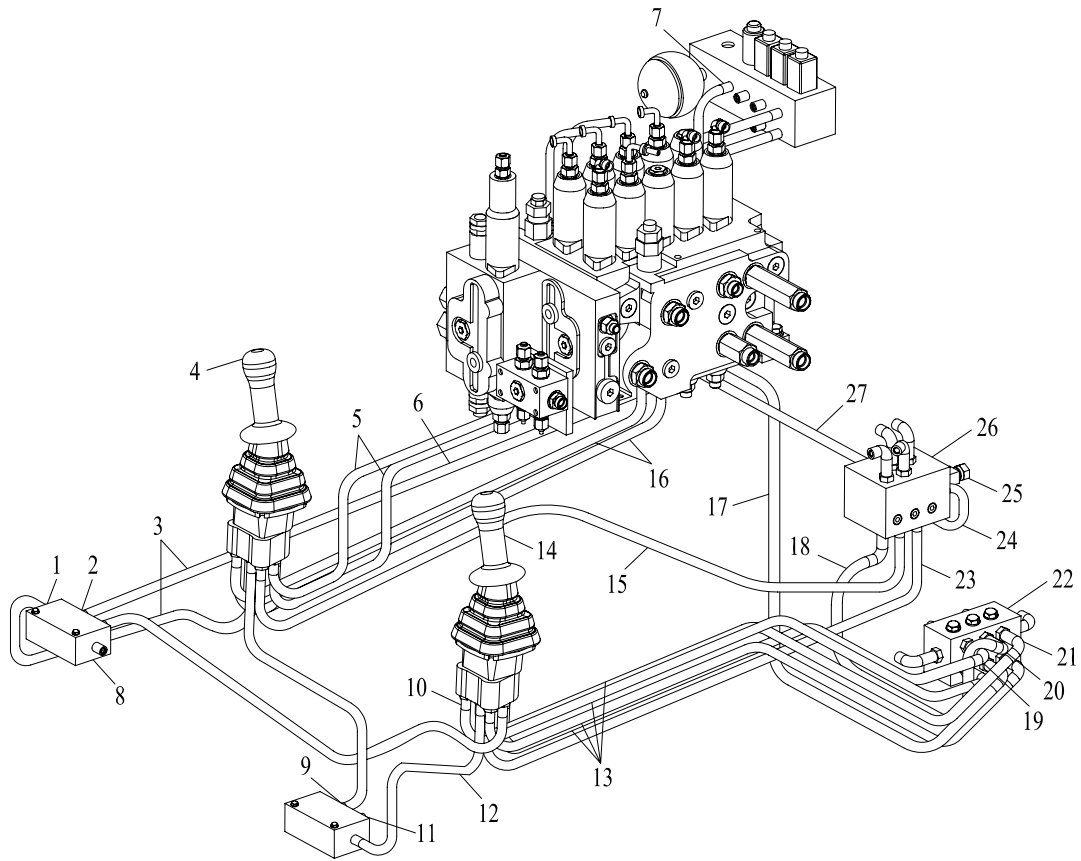
# 15 先导管路 II PILOT LINES II



15 先导管路 II  
**PILOT LINES II**

序号 NO.	代码 S.C	代号 CODE	零件名称 PART NAME	PART NAME 零件名称	数量 QTY	备注 NOTE
1	60911010089	2B9-04	直角接头	RIGHT-ANGLE CONNECTOR	1	
2	17272000634	F481CACF080804- 1900-PG1000	胶管总成	HOSE ASS'Y	1	
3	17272000638	F481CACF080804- 2150-PG1000	胶管总成	HOSE ASS'Y	1	
4	60911010016	1BG-04B2351	直通接头	STRAIGHT CONNECTOR	3	
5	17272000619	F481CACA080804- 1800-PG1000	胶管总成	HOSE ASS'Y	1	
6	60911010018	1BG-08B2351	直通接头	STRAIGHT CONNECTOR	1	

# 16 先导管路 III OPERATOR'S CAB III

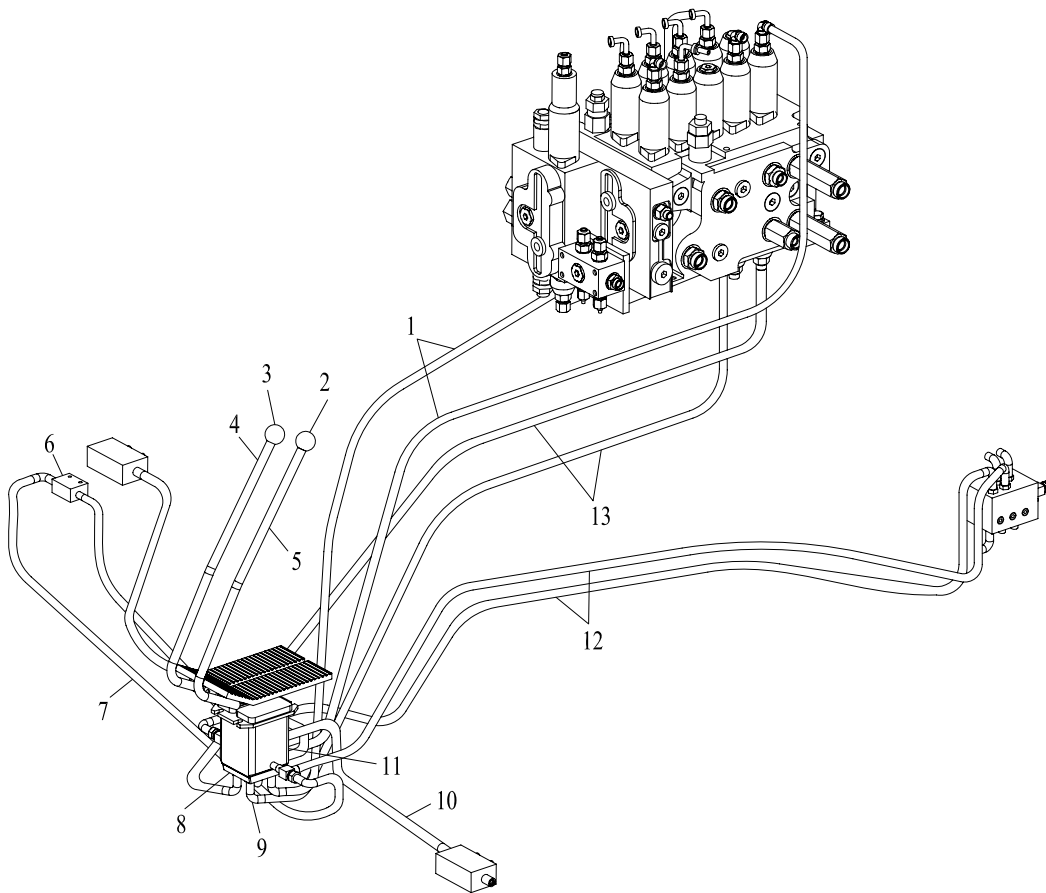




16 先导管路 III  
PILOT LINES III

序号 NO.	代码 S.C	代号 CODE	零件名称 PART NAME	PART NAME 零件名称	数量 QTY	备注 NOTE
1	60911010023	2B9-06	直角接头	RIGHT-ANGLE CONNECTOR	8	
2	60911010082	1BG-06-08B2351	直通接头	STRAIGHT CONNECTOR	1	
3	17272000717	F481CACA121206- 1600-PG500	胶管总成	HOSE ASS'Y	2	
4	60304000117	PV48KC1312	左手先导阀	PILOT VALVE L. H.	1	
5	17272000779	F481CACA121206- 2250	胶管总成	HOSE ASS'Y	2	
6	17272000630	F481CACA121206- 3000-PG2000	胶管总成	HOSE ASS'Y	1	
7	60911010005	1B-06-08WD	直通接头	STRAIGHT CONNECTOR	1	
8	30605100221	LG6230.05.06-01	PT 块	PT BLOCK	2	
9	60911010017	1BG-06B2351	直通接头	STRAIGHT CONNECTOR	4	
10	60911010034	1BG-06-04B2351	直通接头	STRAIGHT CONNECTOR	12	
11	60911010018	1BG-08B2351	直通接头	STRAIGHT CONNECTOR	1	
12	17272000684	F481CACA121206- 1350-PG500	胶管总成	HOSE ASS'Y	2	
13	17272003374	F481CACA121206- 1600	胶管总成	HOSE ASS'Y	4	
14	60304000118	PV48KC1313	右手先导阀	PILOT VALVE R.H.	1	
15	17272000620	F481CACA080804- 1900	胶管总成	HOSE ASS'Y	1	
16	17272000348	F481CACA121206- 1800	胶管总成	HOSE ASS'Y	2	
17	17272000641	F481CACF080804- 2600-PG2000	胶管总成	HOSE ASS'Y	1	
18	17272000655	F481CF080804- 400-180°	胶管总成	HOSE ASS'Y	1	
19	60911010003	1B-06-04WD	直通接头	STRAIGHT CONNECTOR	2	
20	60911010002	1B-04WD	直通接头	STRAIGHT CONNECTOR	6	
21	60911010377	1BG-06-04/32	直通接头	STRAIGHT CONNECTOR	2	
22	60304000113	1010071	梭阀块	SHUTTLE VALVE BLOCK	1	
23	17272000622	F481CACA080804- 2000	胶管总成	HOSE ASS'Y	1	
24	17272003375	F481CACF080804- 400-PG400	胶管总成	HOSE ASS'Y	3	
25	60911010037	CB-04	三通接头	THREE-WAY CONNECTOR	4	
26	60304000120	VBZ-112	行走直线阀	STRAIGHT TRAVER VALVE	1	
27	17272000639	F481CACF080804- 2400-PG1000	胶管总成	HOSE ASS'Y	1	

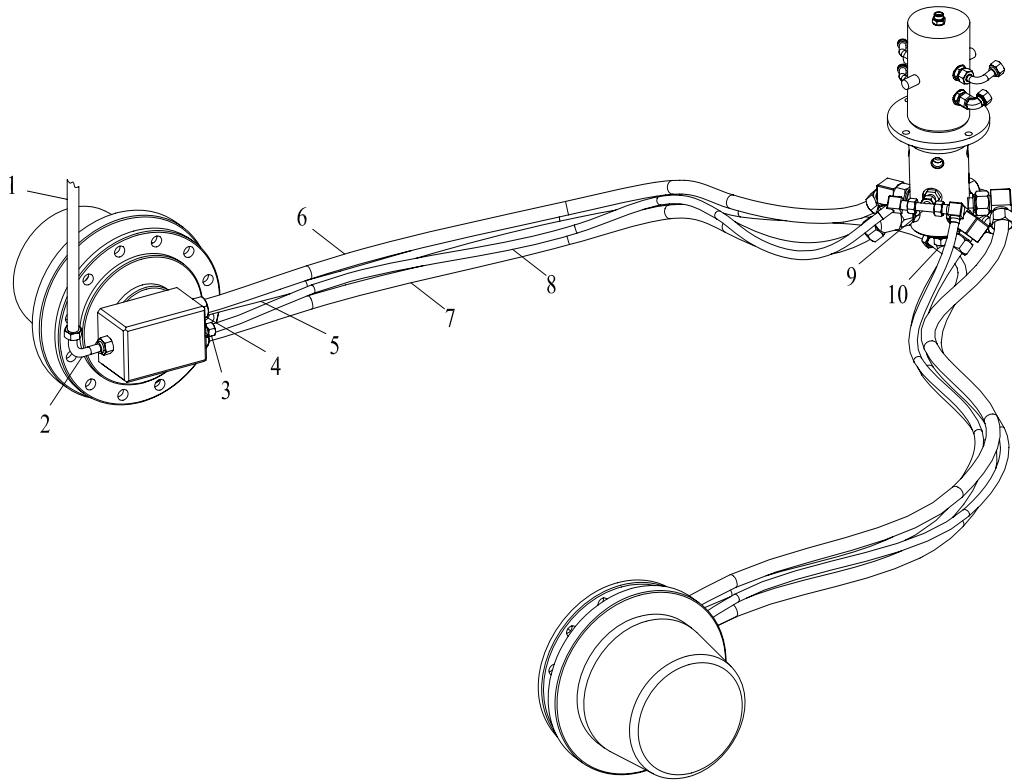
# 17 先导管路 IV PILOT LINES IV



17 先导管路 IV  
PILOT LINES IV

序号 NO.	代码 S.C	代号 CODE	零件名称 PART NAME	PART NAME 零件名称	数量 QTY	备注 NOTE
1	17272000786	F481CACF080804- 2950-PG1000	胶管总成	HOSE ASS'Y	2	
2	60207010022	D60-01-00001	手柄	GRIP	1	
3	60207010006	D60-01-00002	手柄	GRIP	1	
4	30605000976	LG6230.05A.06.01	右操纵杆	CONTROL LEVER R.H.	1	
5	30605000977	LG6230.05A.06.02	左操纵杆	CONTROL LEVER L.H.	1	
6	60304000010	WYS-2	梭阀	SHUTTLE VALVE	1	
7	17272000644	F481CACF080804- 300	胶管总成	HOSE ASS'Y	1	
8	60304000119	PVD8PC5020A	脚踏阀	FOOT PADEL VALVE	1	
9	60911010089	2B9-04	直角接头	RIGHT-ANGLE CONNECTOR	4	
10	17272000623	F481CACA080804- 420	胶管总成	HOSE ASS'Y	2	
11	60911010016	1BG-04B2351	直通接头	STRAIGHT CONNECTOR	22	
12	17272000636	F481CACF080804- 2100	胶管总成	HOSE ASS'Y	2	
13	17272000642	F481CACF080804- 2650-PG1000	胶管总成	HOSE ASS'Y	2	

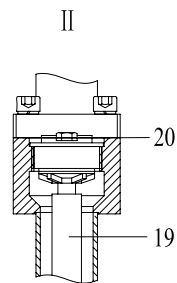
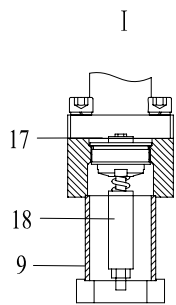
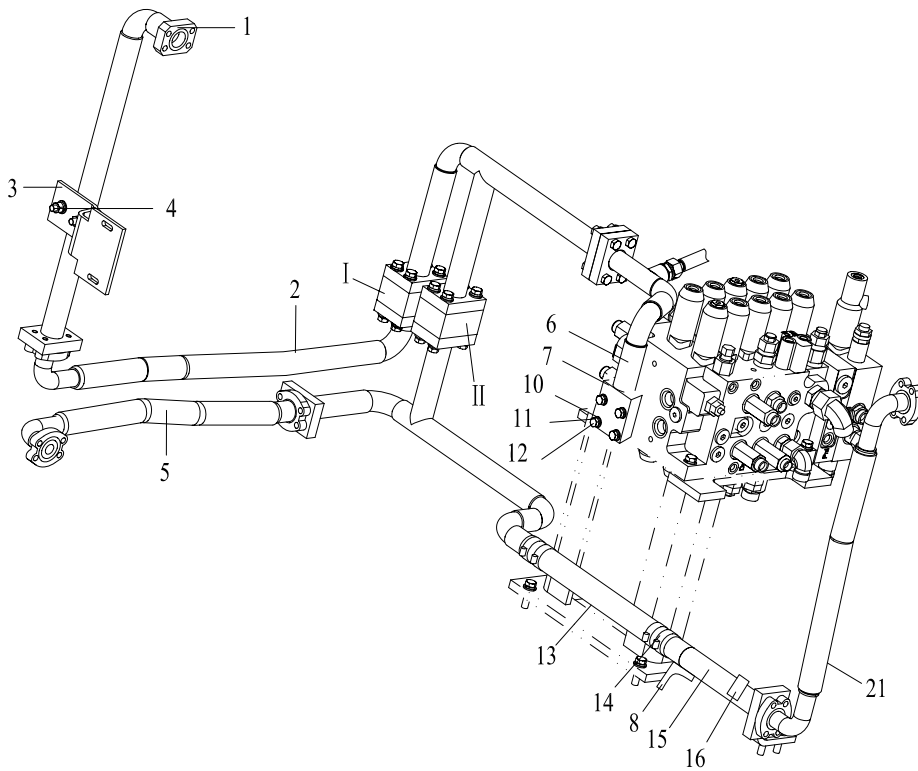
# 18 下车管路 CHASSIS LINES



18 下车管路  
**CHASSIS LINES**

序号 NO.	代码 S.C	代号 CODE	零件名称 PART NAME	PART NAME 零件名称	数量 QTY	备注 NOTE
1	17272000783	F481CACE080804- 2000-PG2000	胶管总成	HOSE ASS'Y	2	
2	60911010089	2B9-04	直角接头	RIGHT-ANGLE CONNECTOR	2	
3	60911010018	1BG-08B2351	直通接头	STRAIGHT CONNECTOR	3	
4	60911010589	1FG-10-12B2351- P22.4	直通接头	STRAIGHT CONNECTOR	8	
5	17272000782	F481CACE080804- 1900-PG1900	胶管总成	HOSE ASS'Y	2	
6	17272000602	F371C91C161610- 1700-PG1700	胶管总成	HOSE ASS'Y	2	
7	17272000597	F371C90C161610- 1700-PG1700	胶管总成	HOSE ASS'Y	2	
8	17272000651	F481CACF151508- 1700-PG1700	胶管总成	HOSE ASS'Y	2	
9	60911010035	BB-04	三通接头	THREE-WAY CONNECTOR	1	
10	60911010107	BB-08	三通接头	THREE-WAY CONNECTOR	1	

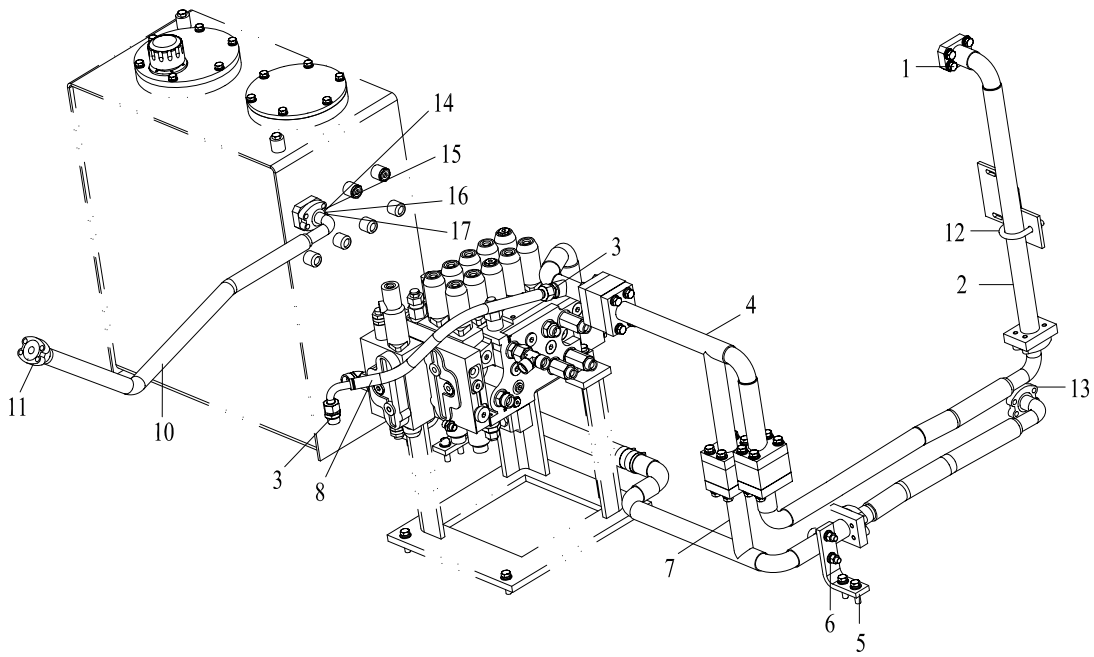
# 19 回油管路 I OIL RETURN LINES I



19 回油管路 I  
OIL RETURN LINES I

序号 NO.	代码 S.C	代号 CODE	零件名称 PART NAME	PART NAME 零件名称	数量 QTY	备注 NOTE
1	51401110122	GB/T93	弹簧垫圈12	SPRING WASHER,12	28	
2	17272000661	F8111919202020- 855(+5)_0°	软管总成	HOSE ASS'Y	1	
3	30605100230	LG6150.05.05-04	弯板	BENT PLATE	1	
4	51421110121	GB/T97.1	平垫圈12	PLAIN WASHER 12	28	
5	17272000659	F8111519202020- 615 (+5)	胶管总成	HOSE ASS'Y	1	
6	30605000142	LG6150.05A.05.02	回油钢管1	OIL RETURN PIPE 1	1	
7	56900001004	AS568	O形圈Φ37.69×3.53	O-RING Φ13.8×2.4	2	
8	30605100232	LG6150.05.05-08	支撑板3	SUPPORT 3	1	
9	30605000141	LG6150.05A.05.01	单向阀座	CHECK VALVE SEAT	1	
10	51204101322	GB/T5783	螺栓 M10×35	BOLT M10×35	12	
11	51401100122	GB/T93	弹簧垫圈10	SPRING WASHER,10	12	
12	51421100121	GB/T97.1	平垫圈10	PLAIN WASHER 10	12	
13	30605100342	LG6150.05.05-03	吸油胶管	OIL SUCTION HOSE	1	
14	60911010581	01D4060	喉箍40-60mm	CLAMP 40-60mm	4	
15	30605000139	LG6150.05.05.04	回油钢管4	OIL RETURN PIPE 4	1	
16	30605100231	LG6150.05.05-07	管夹	PIPE CLAMP	2	
17	56900001104	AS568	O形圈Φ47.22×3.53	O-RING Φ47.22×3.53	1	
18	60304000116	LV10-25T	单向阀	CHECK VALVE	1	
19	60304000019	LV12-45T	单向阀	CHECK VALVE	1	
20	5690000504	AS568	O形圈Φ56.74×3.53	O-RING Φ56.74×3.53	1	
21	17272000660	F8111919202020- 710 (+5) -90°	胶管总成	HOSE ASS'Y	1	

## 20 回油管路 II OIL RETURN LINES II

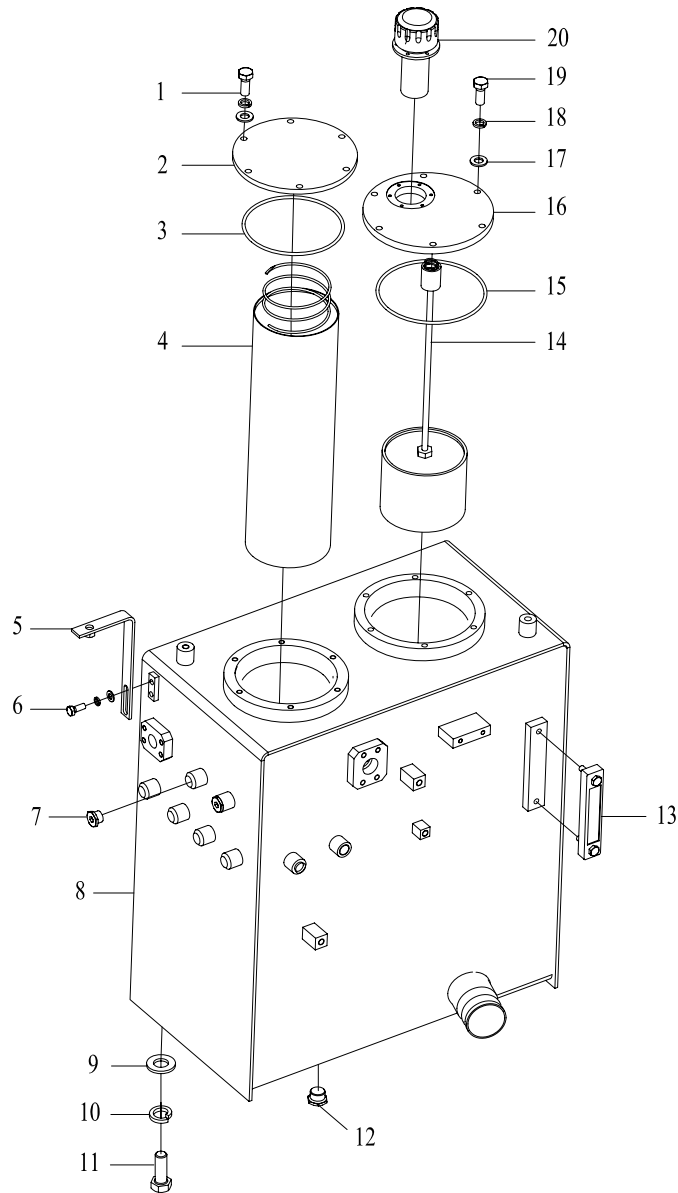




20 回油管路 II  
OIL RETURN LINES II

序号 NO.	代码 S.C	代号 CODE	零件名称 PART NAME	PART NAME 零件名称	数量 QTY	备注 NOTE
1	51204101322	GB/T5783	螺栓 M10×35	BOLT M10×35	8	
2	30605000140	LG6150.05.05.05	回油钢管 5	OIL RETURN PIPE 5	1	
3	60911010019	1BG-12 B2351	直通接头	STRAIGHT CONNECTOR	2	
4	30605000143	LG6150.05A.05.03	回油钢管 2	OIL RETURN PIPE 2	1	
5	30605100238	LG6150.05A.05-01	支撑板	SUPPORT	1	
6	51307001119	GB/T6170	螺母 M12	NUT M12	10	
7	30605000144	LG6150.05A.05.04	回油钢管 3	OIL RETURN PIPE 3	1	
8	17272000662	F811CACE222212-950	胶管总成	HOSE ASS'Y	1	
9		F8111519161616- 1200-PG1200	胶管总成	HOSE ASS'Y	1	
10	60911010605	M1M1HK-20	法兰组件	FLANGE COMPONENT	2	
11	51256002404	JB/ZQ4321	U形螺栓 42-Zn	U BOLT 42-Zn	5	
12	60911010605	M1M1HK-20	法兰组件	FLANGE COMPONENT	6	
13		CDM6210.14.05-07	R2 回油口压板	R2 OIL RETURN PORT PRESS PLATE	1	
14	56900000404	AS568	O形圈 Φ32.92×3.53	O-RING Φ32.92×3.53	1	
15	51204101122	GB/T5783	螺栓 M10×25	BOLT M10×25	4	
16	51421100121	GB/T97.1	垫圈 10	WASHER 10	4	

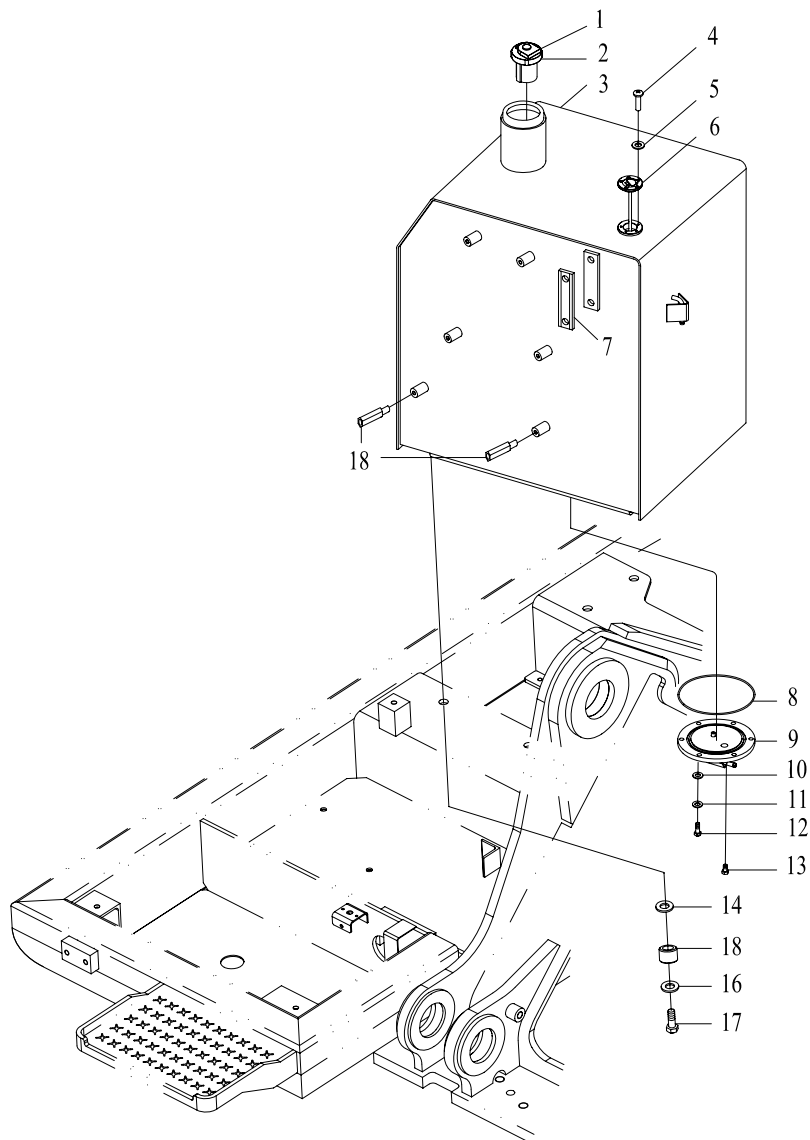
## 21 油箱 OIL TANK



## 21 液压油箱 OIL TANK

序号 NO.	代码 S.C	代号 CODE	零件名称 PART NAME	PART NAME 零件名称	数量 QTY	备注 NOTE
1	51204101122	GB/T5783	螺栓 M10×25	BOLT M10×25	6	
2	30602100107	LG6085.02-01	法兰 II	FLANGE II	1	
3	56900006104	AS568	O 形圈 Φ170×5.3	O-RING Φ170×5.3	1	
4	60308000137	TL402C	回油过滤器	OIL RETURN FILTER	1	
5	30602100106	LG6150.02-01	支承板	SUPPORT	1	
6	51204102822	GB/T5783	螺栓 M10×16	BOLT M10×16	2	
7	60911010100	4G-08	内六角螺堵	HEXAGON PLUG SCREW	1	
8	30602000053	LG6150.02.01	液压油箱	OIL TANK	1	
9	51421110121	GB/T97.1	平垫圈12	PLAIN WASHER 12	4	
10	51401110122	GB/T93	弹簧垫圈12	SPRING WASHER 12	4	
11	51204111322	GB/T5783	六角螺栓 M12×35	HEX BOLT M12×35	4	
12	60911010392	4G-12	内六角螺堵	HEXAGON PLUG SCREW	2	
13	60307010014	YWZ-150T	油位计	OIL GAUGE	1	
14	60308000138	TL402D	吸油过滤器(总长551)	OIL SUCTION FILTER (OVERALL LENGTH 551)	1	
15	56900013504	AS568	O 形圈 Φ183.52×5.3	O-RING Φ183.52×5.3	1	
16	30602000040	LG6085.02.02	法兰 I	FLANGE I	1	
17	51421100121	GB/T97.1	平垫圈10	PLAIN WASHER 10	14	
18	51401100122	GB/T93	弹簧垫圈10	SPRING WASHER 10	14	
19	51204101222	GB/T5783	螺栓 M10×30	BOLT M10×30	6	
20	60101100927	PAF2-0.035-0.75-10-F	空气滤清器	AIR CLEANER	1	

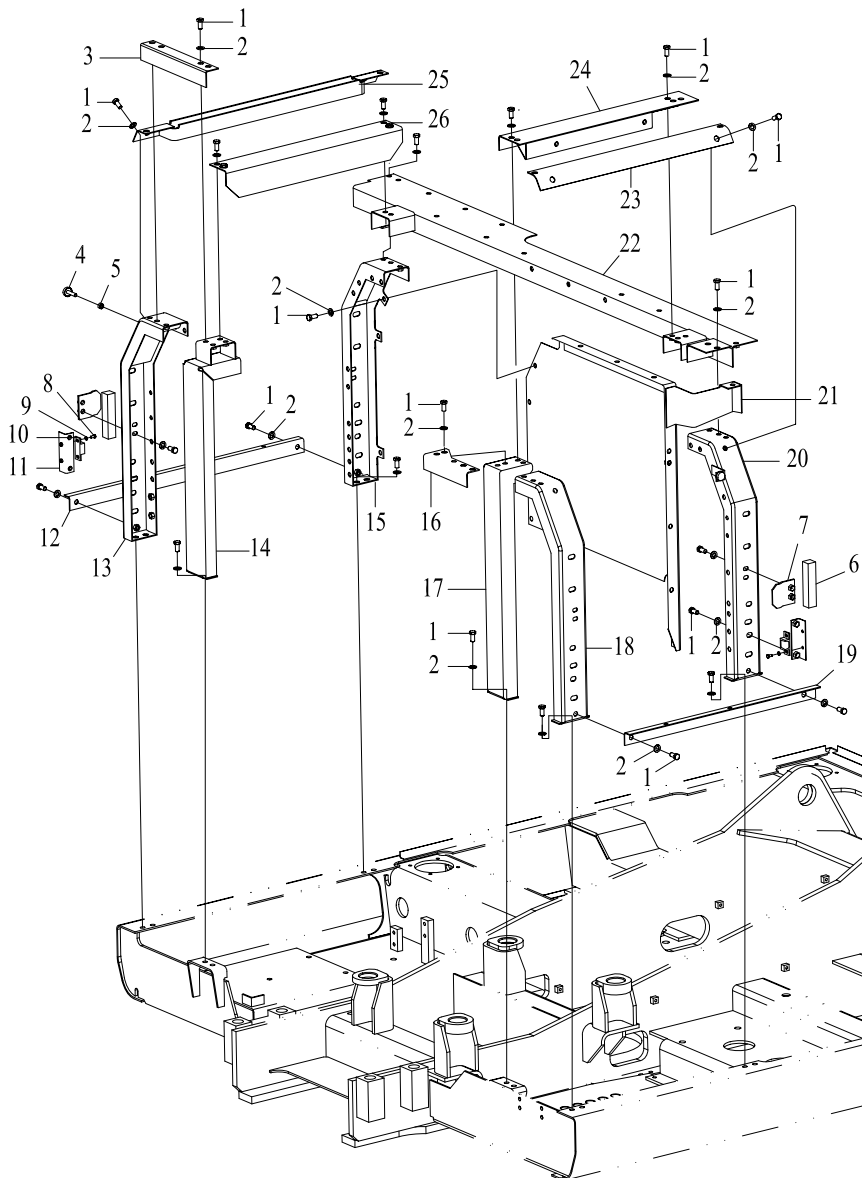
## 22 燃油箱 FUEL TANK



## 22 燃油箱 FUEL TANK

序号 NO.	代码 S.C	代号 CODE	零件名称 PART NAME	PART NAME 零件名称	数量 QTY	备注 NOTE
1	30603100008	CDM606.03A-01	加油口座	OIL FILLER STAND	1	
2		7144	燃油滤网	FUEL SCREEN		
3	30603000029	LG6150.03.01	燃油箱	FUEL TANK WELDING	1	
4	51158170410	GB/T818	螺钉 M5×12	BOLT M5×12	5	
5	51421070121	GB/T97.1	垫圈5	WASHER 5	5	
6	60980003911	224-011-000-060X	油位传感器	FUEL LEVEL SENSOR	1	
7	60307010026	LS127_1-W-M10	液位计	GAUGE	1	
8	56900003704	AS568	○形圈Φ139.29×3.55	O-RING Φ139.29×3.55	1	
9	30603000034	LG6235.03.02	吸油法兰	SUCTION FLANGE	1	
10	51421100121	GB/T97.1	垫圈10	WASHER 10	6	
11	51401100122	GB/T93	垫圈10	WASHER 10	6	
12	51204101222	GB/T5783	螺栓 M10×30	SCREW M10×230	6	
13	60911010098	4G-04	堵头	PLUG	3	
14	30602100105	LG6230.02-03	调整垫片	ADJUST SHIMS	4	
15	60304000029	3/8	蝶形球阀	BUTTERFLY BALL VALVE	1	
16	51420130122	GB/T96.1	垫圈16	WASHER 16	4	
17	51204132522	GB/T5783	螺栓 M16×35	BOLT M16×35	4	
18	30603100126	LG6150.03-01	接头	JOINTS	2	

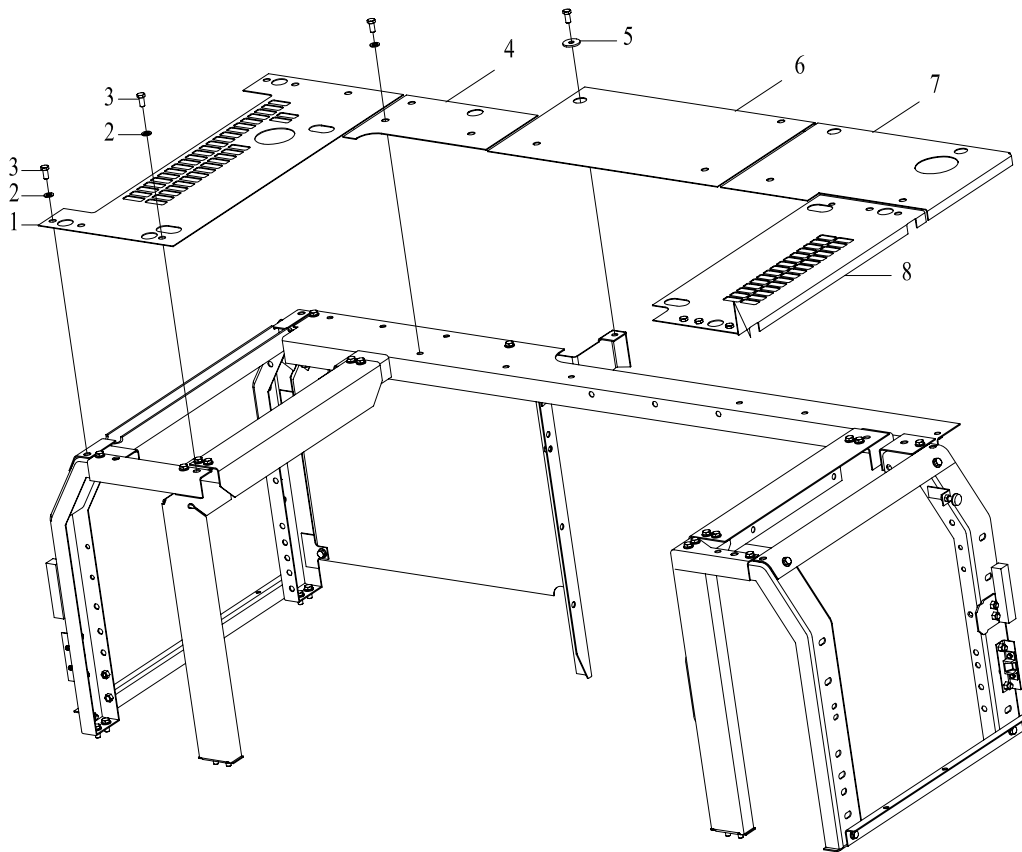
### 23 支架总成 BRACKET ASS'Y



## 23 支架总成 BRACKET ASS'Y

序号 NO.	代码 S.C	代号 CODE	零件名称 PART NAME	PART NAME 零件名称	数量 QTY	备注 NOTE
1	51204111122	GB/T5783	螺栓 M12×25	BOLT M12×25	47	
2	51421110121	GB/T97.1	垫圈 M12	WASHER M12	47	
3	30614100516	LG6150.14.01-03	板2	PLATE 2	1	
4	30614000126	LG6230.14.01.02.02	限位螺钉	STOP SCREW	2	
5	51307001022	GB/T6170	螺母 M10	NUT M10	2	
6	30614100730	LG6150.14.01-05	缓冲垫	BUFFER MAT	2	
7	30614000222	LG6150.14.01.14	锁扣板	PLATE	2	
8	51204081022	GB/T5783	螺栓 M6×20	BOLT M6×20	4	
9	51421080121	GB/T97.1	垫圈 M6	WASHER M6	4	
10	30614100042	LG6360.14B.01-03	凹撞块	CONCAVE LINK STOPPER	2	
11	30614100500	LG6150.14.01.06-03	弯板	BENT PLATE	2	
12	30614100517	LG6150.14.01-04	弯板2	BENT PLATE 2	1	
13	30614000130	LG6150.14.01.03	左后支架	REAR BRACKET, LEFT	1	
14	30614100496	LG6150.14.01.04	左后支架2	REAR BRACKET, LEFT 2	1	
15	30614000127	LG6150.14.01.01	左前支架	FRONT BRACKET, LEFT	1	
16	30614000145	LG6150.14A.01.06	板1	PLATE 1	1	
17	30614100506	LG6150.14.01.09-02	右后支架2	REAR BRACKET, RIGHT 2	1	
18	30614000132	LG6150.14.01.10	右后支架	REAR BRACKET, RIGHT	1	
19	30614100515	LG6150.14.01-02	弯板1	BENT PLATE 1	1	
20	30614000133	LG6150.14.01.11	右前支架	FRONT BRACKET, RIGHT	1	
21	30614000131	LG6150.14.01.06	左前挡板	FRONT STOP PLATE, LEFT	1	
22	30614000142	LG6150.14A.01.03	上横梁	TOP BRIDGE	1	
23	30614100514	LG6150.14.01-01	折弯板	BENT PLATE	1	
24	30614000143	LG6150.14A.01.04	右中角架	CORNER BRACKET, RIGHT	1	
25	30614000129	LG6150.14.01.02	支撑架	BRACKET	1	
26	30614100497	LG6150.14.01.05-02	左中角架	CORNER BRACKET, LEFT	1	

24 盖板总成  
COVER BOARD ASS'Y

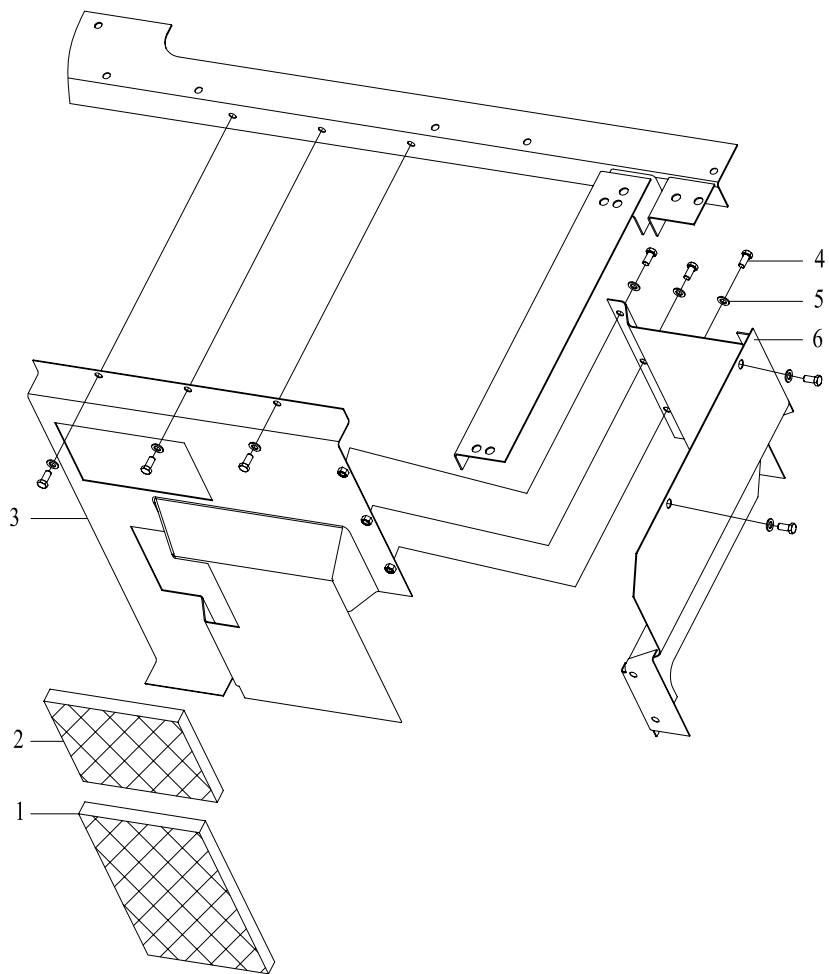




24 盖板总成  
**COVER BOARD ASS'Y**

序号 NO.	代码 S.C	代号 CODE	零件名称 PART NAME	PART NAME 零件名称	数量 QTY	备注 NOTE
1	30614000147	LG6150.14A.02.01	盖板5	COVER 5	1	
2	51420110122	GB/T96.1	垫圈 M12	WASHER M12	20	
3	51204111122	GB/T5783	螺栓 M12×25	BOLT M12×25	23	
4	30614100522	LG6150.14.02-02	盖板4	COVER 4	1	
5	51430110115	GB/T5287	垫圈 M12	WASHER M12	3	
6	30614000136	LG6150.14.02.02	盖板3	COVER 3	1	
7	30614100523	LG6150.14.02-03	盖板2	COVER 2	1	
8	30614100543	LG6150.14A.02-01	盖板1	COVER 1	1	

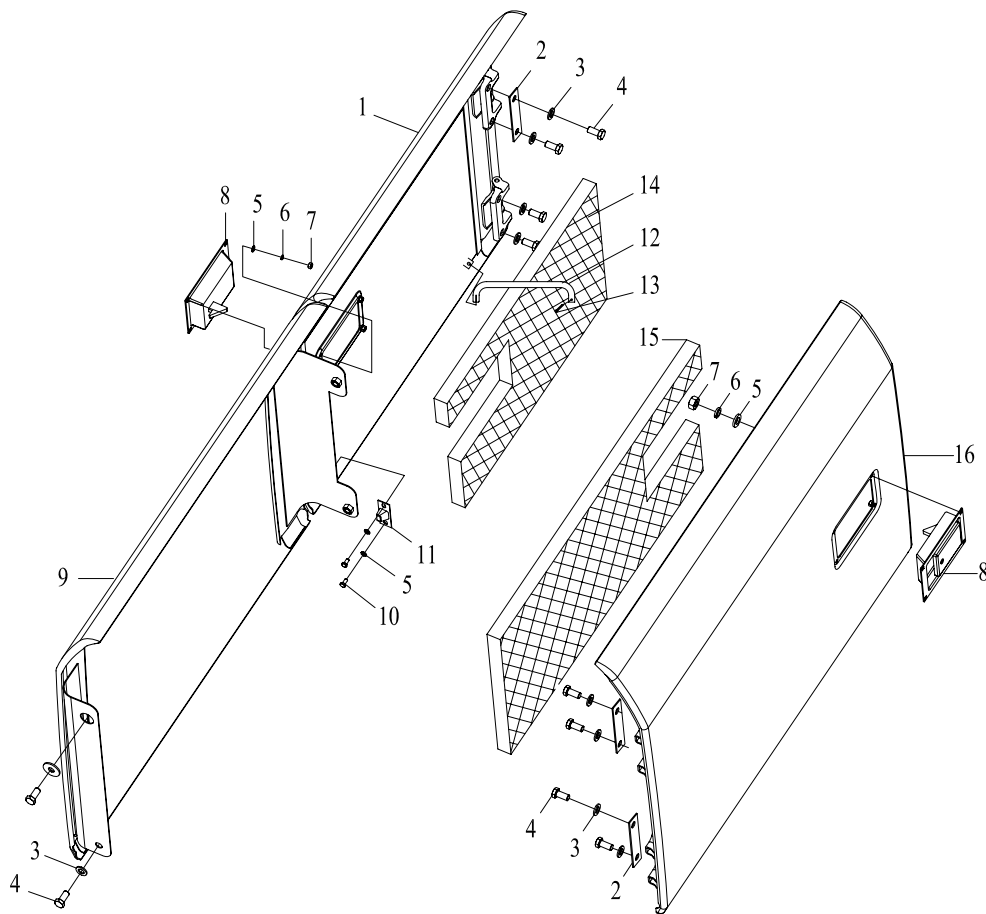
25 隔热板总成  
THERMAL BAFFLE ASS'Y



25 隔热板总成  
THERMAL BAFFLE ASS'Y

序号 NO.	代码 S.C	代号 CODE	零件名称 PART NAME	PART NAME 零件名称	数量 QTY	备注 NOTE
1	30614100529	LG6150.14.03-02	海绵2	SPONGE 2	1	
2	30614100797	LG6150.14.03-01	海绵1	SPONGE 1	1	
3	30614000138	LG6150.14.03.02	挡板	STOP PLATE	1	
4	51204111122	GB/T5783	螺栓 M12×25	BOLT M12×25	8	
5	51421110121	GB/T97.1	垫圈 M12	WASHER M12	8	
6	30614000137	LG6150.14.03.01	隔板	BUFFLE	1	

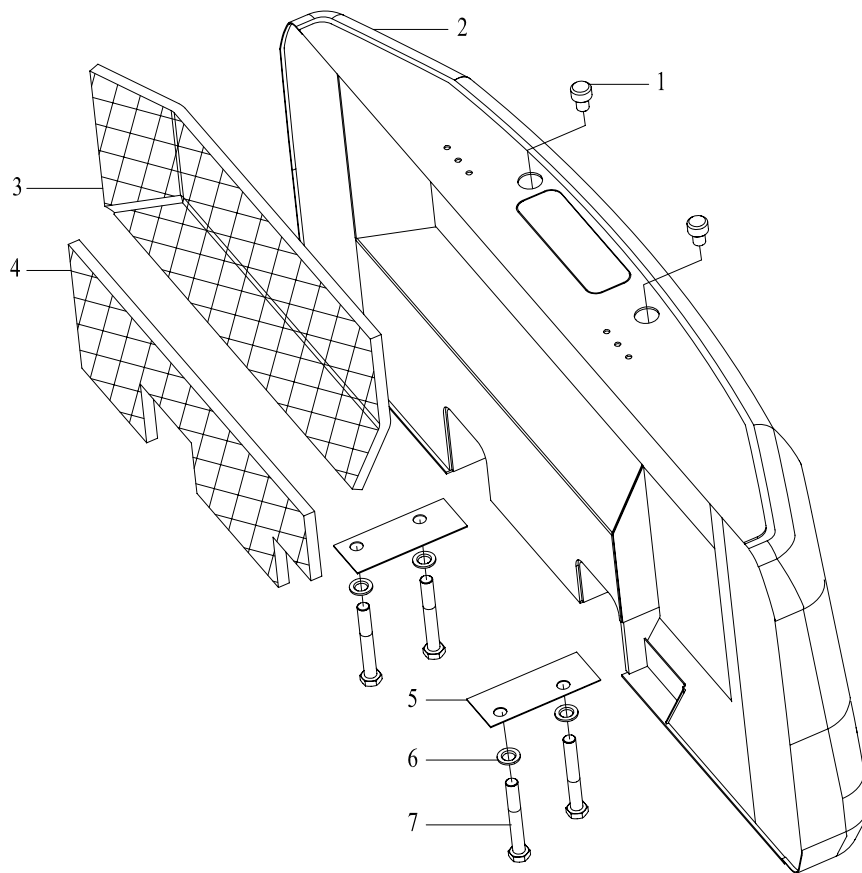
## 26 车门组件 SIDE DOOR ASS'Y



## 26 车门组件 SIDE DOOR ASS'Y

序号 NO.	代码 S.C	代号 CODE	零件名称 PART NAME	PART NAME 零件名称	数量 QTY	备注 NOTE
1	30614000200	LG6150.14.04.02	右后门	REAR DOOR, RIGHT SIDE	1	
2	30614100727	LG6150.14.04.02	调整垫片	ADJUST SHIMS	按需	
3	51421110121	GB/T97.1	垫圈12	WASHER 12	12	
4	51204111122	GB/T5783	螺栓 M12×25	BOLT M12×25	12	
5	51421080121	GB/T97.1	垫圈6	WASHER 6	12	
6	51421080121	GB/T97.1	垫圈6	WASHER 6	8	
7	51307000822	GB/T6170	螺母 M6	NUT M6	8	
8	60701010019	LGW-NBS504B	门锁	DOOR LOCK	2	
9	30614000199	LG6150.14.04.01	右前门	FRONT DOOR, LEFT SIDE	1	
10	51204080822	GB/T5783	螺栓 M6×12	BOLT M6×12	4	
11	30614000484	LG6230.14.04.01.02	凸撞块	PROTRUDE LINK STOPPER	2	
12	30614100726	LG6150.14.04-01	门撑杆	DOOR BRACE ROD	2	
13	51512080801	GB/T91	开口销3.2×16	COTTER PIN 3.2×16	2	
14	30614100718	LG6150.14.04.02-01	吸音海绵	SPONGE	1	
15	30614100725	LG6150.14.04.03-01	吸音海绵	SPONGE	1	
16	30614000201	LG6150.14.04.03	左门	LEFT SIDE DOOR	1	

27 配重总成  
COUNTER WEIGHT ASS'Y

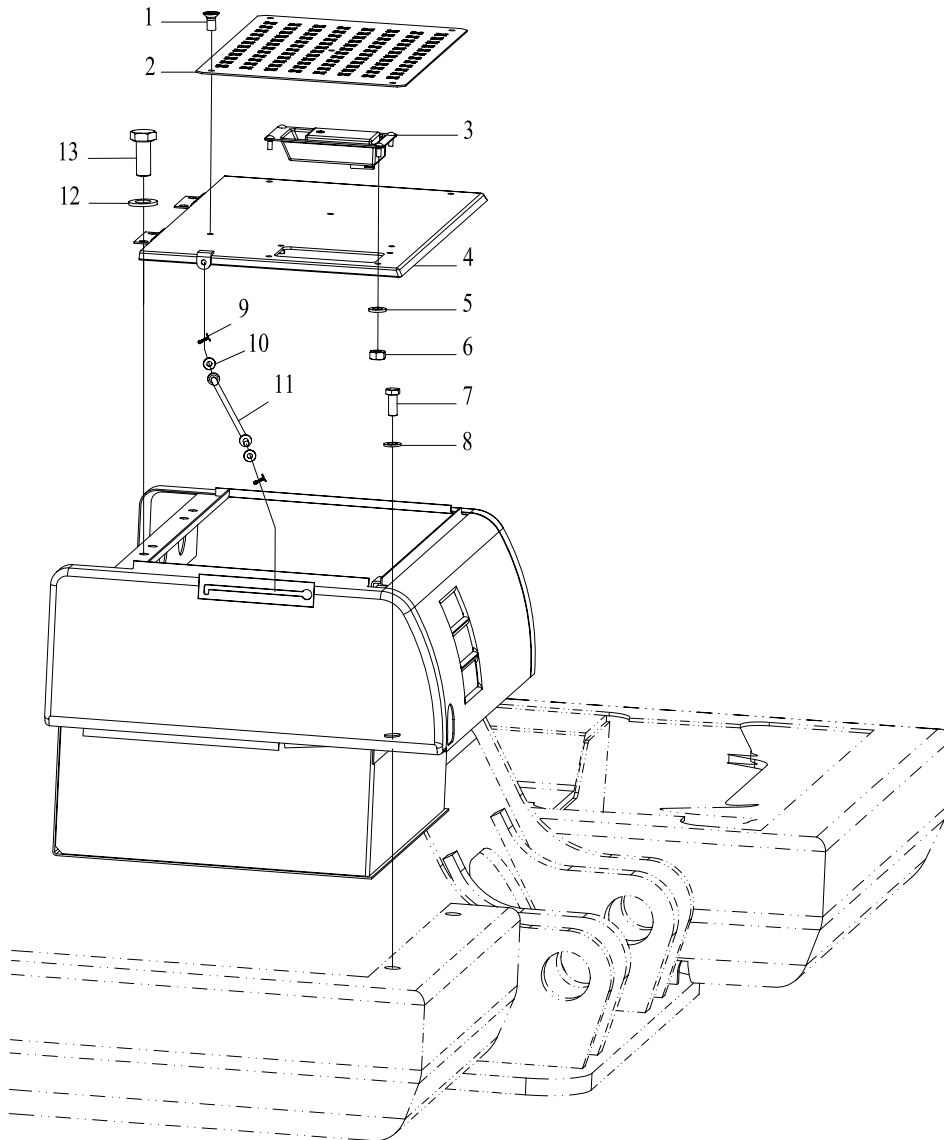


## 27 配重总成

## COUNTER WEIGHT ASS'Y

序号 NO.	代码 S.C	代号 CODE	零件名称 PART NAME	PART NAME 零件名称	数量 QTY	备注 NOTE
1	30611100085	LG6150.11-05	闷堵	PLUG	2	
2	30611000013	LG6150.11.01	配重	COUNTER WEIGHT	1	
3	30611100081	LG6150.11-01	海绵	SPONGE	1	
4	30611100082	LG6150.11-02	海绵	SPONGE	1	
5	30611100083	LG6150.11-03	套	SLEEVE	2组	
6	51427200120	GB/T1230	垫圈 30	WASHER 30	4	
7	51203193821	GB/T5782	螺栓 M30×260	BOLT M30×260	4	

## 28 工具箱 TOOL KIT

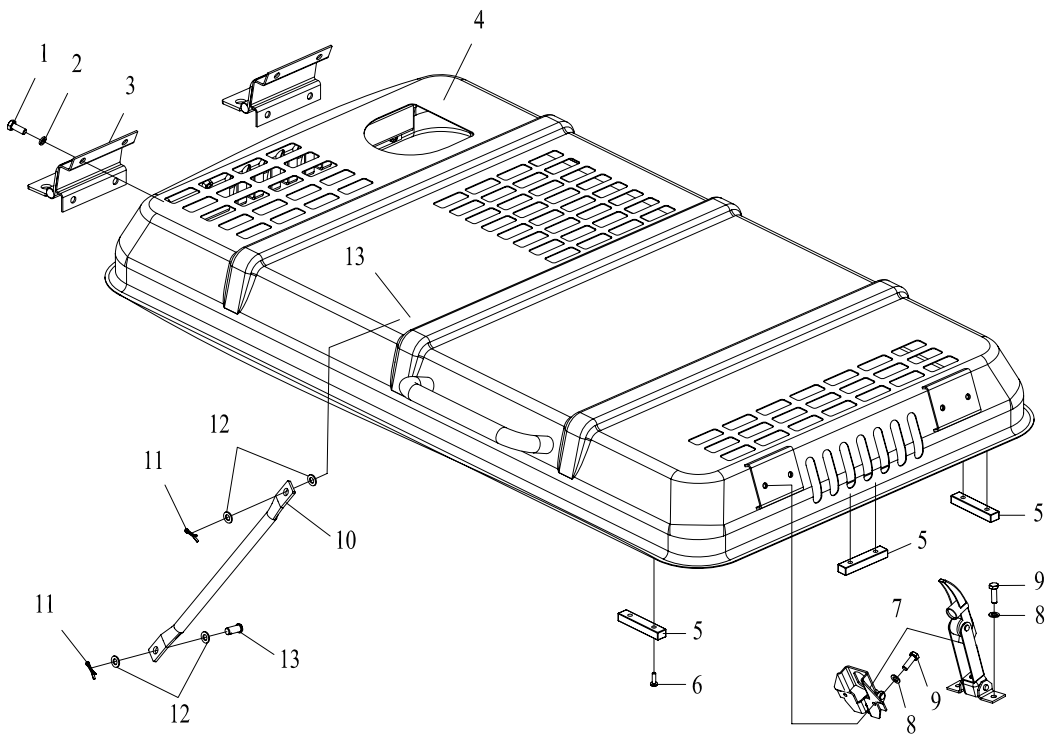




28 工具箱  
TOOL KIT

序号 NO.	代码 S.C	代号 CODE	零件名称 PART NAME	PART NAME 零件名称	数量 QTY	备注 NOTE
1	51119210205	GB/T68	螺钉 M8×12	BOLT M8×12	5	
2	30625100077	LG6150.25.02	防滑板	ANTI-SLIP MAT	1	
3	60701010011	NBS504B	门锁	DOOR LOCK	1	
4	30625000023	LG6150.25.02	工具箱盖	TOOL KIT COVER	1	
5	51421080121	GB/T97.1	垫圈 6	WASHER 6	4	
6	51307000822	GB/T6170	螺母 M6	NUT M6	8	
7	51204111122	GB/T5783	螺栓 M12×25	BOLT M12×25	4	
8	51421110121	GB/T97.1	垫圈 12	WASHER 12	4	
9	51512081001	GB/T91	开口销 Φ3.2×20	COTTER PIN 3.2×20	2	
10	51421090121	GB/T97.1	垫圈 8	WASHER 8	2	
11	30625000025	LG6150.25.03	弯杆	WINDING ROD	2	
12	51421100121	GB/T97.1	垫圈 10	WASHER 10	4	
13	51204101122	GB/T5783	螺栓 M10×25	BOLT M10×25	4	

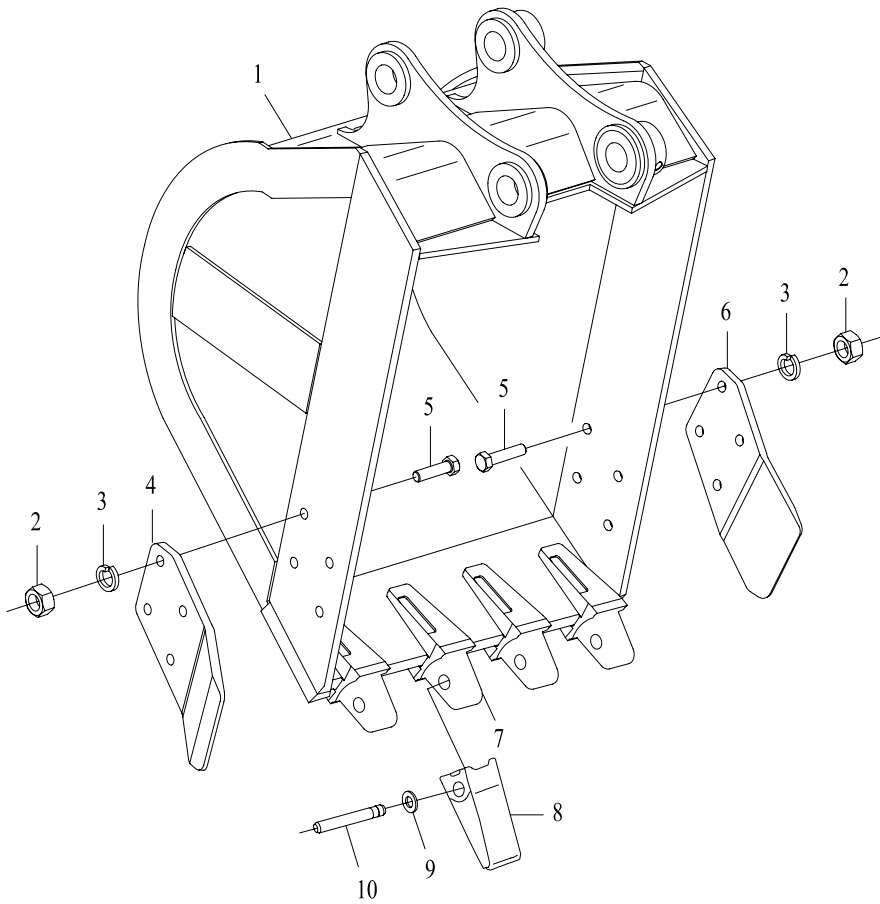
# 29 机罩 HOOD



## 29 机罩 HOOD

序号 NO.	代码 S.C	代号 CODE	零件名称 PART NAME	PART NAME 零件名称	数量 QTY	备注 NOTE
1	51204101122	GB/T5783	螺栓 M10×25	BOLT M10×25	8	
2	51401090122	GB/T93	垫圈8	WASHER 8	8	
3	30614000206	LGW-NBS6105010 (NBS415)	锁链总成	ENGINE HOOD	2	
4	30614000205	LG6150.14A.05.01	发动机机罩	HOOD	1	
5	30614100433	LG6230.14.05-01	缓冲垫	BUFFER MAT	3	
6	51158190610	GB/T818	螺钉 M6×20	BOLT M6×20	6	
7	30614000206	LG6150.14A.05.02	发动机机罩锁	LOCKING BUCKLE	2	
8	51421090121	GB/T97.1	垫圈8	WASHER 8	8	
9	51204091122	GB/T5783	螺栓 M8×25	BOLT M8×25	8	
10		LG6150.14A.06.01	杆	ROD	1	
11	51510071102	GB/T882	销轴 M12×26	PIN M12×26	2	
12	30614100365	LG6230.14-02	大垫圈 D12	BIG WASHER D12	4	
13	51512091001	GB/T91	开口销4×20	COTTER PIN 3.2×20	2	

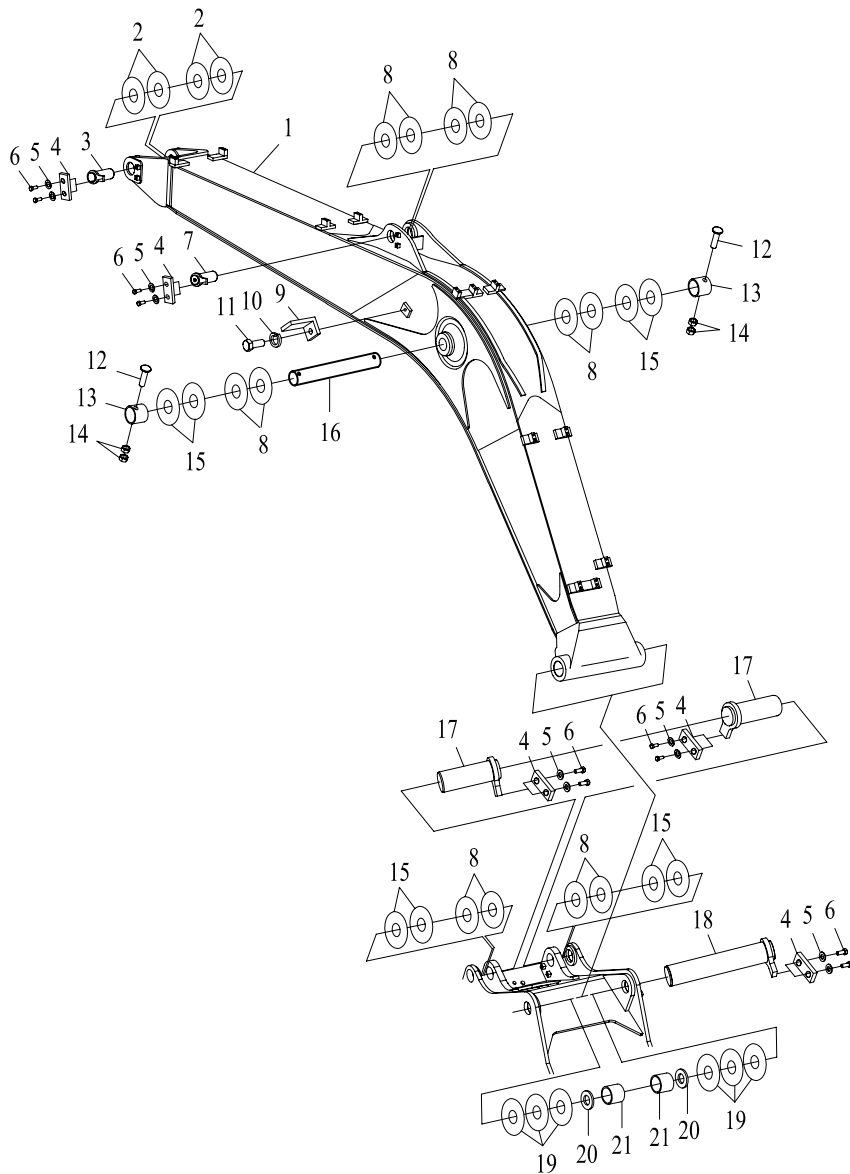
30 铲斗总成  
BUCKET ASS'Y



30 铲斗总成  
**BUCKET ASS'Y**

序号 NO.	代码 S.C	代号 CODE	零件名称 PART NAME	PART NAME 零件名称	数量 QTY	备注 NOTE
1	30617000038	LG6150.17.01	铲斗	BODY, BUCKET	1	
2	51307001722	GB/T6170	螺母 M24	NUT M24	8	
3	51427170122	GB/T1230	垫圈 24	WASHER 24	8	
4	60906000017	LG6150.17-01	左边齿	LEFT SIDE CUTTER	1	
5	51204171922	GB/T5783	螺栓 M24×65	BOLT M24×65	8	
6	60906000019	LG6150.17-05	右边齿	RIGHT SIDE CUTTER	1	
7	60906000016	LG6150.17.01-13	斗齿座	BUCKET TOOTH BRACKET	4	
8	60906000018	LG6150.17-02	斗齿	BUCKET TOOTH	4	
9	60980000295	LG6150.17-04	垫圈	WASHER	4	
10	60980000294	LG6150.17-03	销子	PIN	4	

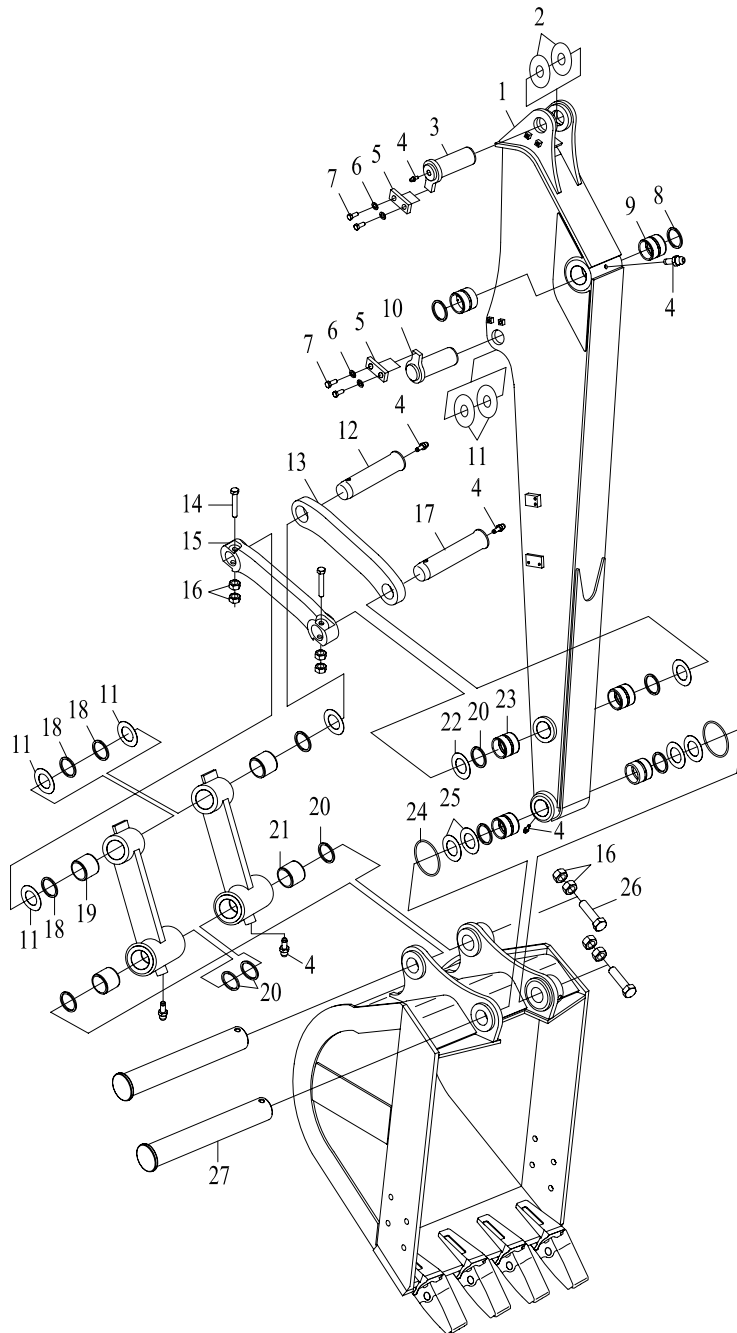
### 31 动臂总成 BOOM ASS'Y



### 31 动臂总成 BOOM ASS'Y

序号 NO.	代码 S.C	代号 CODE	零件名称 PART NAME	PART NAME 零件名称	数量 QTY	备注 NOTE
1	30615000149	LG6150.15B.01	动臂	BOOM WELDING	1	
2	30615100415	LG6150.15-07	调整垫 $\Phi 71 \times \Phi 130$	ADJUST SHIMS $\Phi 71 \times \Phi 130$	1组	
3	30615000118	LG6150.15.11	销轴总成 1	PIN ASS'Y 1	1	
4	30615100306	LG6150.15-01	卡板	PLATE	5	
5	51421110121	GB/T97.1	垫圈 12	WASHER 12	10	
6	51204111222	GB/T5783	螺栓 M12 $\times$ 30	BOLT M12 $\times$ 30	10	
7	30615000119	LG6150.15.12	销轴总成 2	PIN ASS'Y 2	1	
8	30616100263	LG6150.15-08	调整垫 $\Phi 71 \times \Phi 120$	ADJUST SHIMS $\Phi 71 \times \Phi 120$	3组	
9	30615100081	LG6150.15-16	灯架	LAMP BRACKET	1	
10	51421130121	GB/T97.1	垫圈 16	WASHER 16	1	
11	51204134222	GB/T5783	螺栓 M16 $\times$ 30	BOLT M16 $\times$ 30	1	
12	51203133121	GB/T5782	螺栓 M16 $\times$ 150	BOLT M16 $\times$ 150	2	
13	30615100310	LG6150.15-13	固定套	FIXED BUSHING	2	
14	51307001322	GB/T6170	螺母 M16	NUT M16	4	
15	30615100417	LG6150.15-11	调整垫 $\Phi 71 \times \Phi 110$	ADJUST SHIMS $\Phi 71 \times \Phi 110$	2组	
16	30615100418	LG6150.15-12	中部销轴	PIN, MIDDLE	1	
17	30615000121	LG6150.15.14	销轴总成 4	PIN ASS'Y 4	2	
18	30615000120	LG6150.15.13	销轴总成 3	PIN ASS'Y 3	1	
19	30615100416	LG6150.15-09	调整垫 $\Phi 71 \times \Phi 140$	ADJUST SHIMS $\Phi 71 \times \Phi 140$	3组	
20	60980000063	VAW	防尘圈 $\Phi 70 \times \Phi 85 \times 6$	DUST SEAL $\Phi 70 \times \Phi 85 \times 6$	2	
21	30616100264	LG6150.15-10	钢套 $\Phi 70 \times \Phi 85 \times 74$	STEEL SLEEVE $\Phi 70 \times \Phi 85 \times 74$	2	

## 32 斗杆总成 ARM ASS'Y

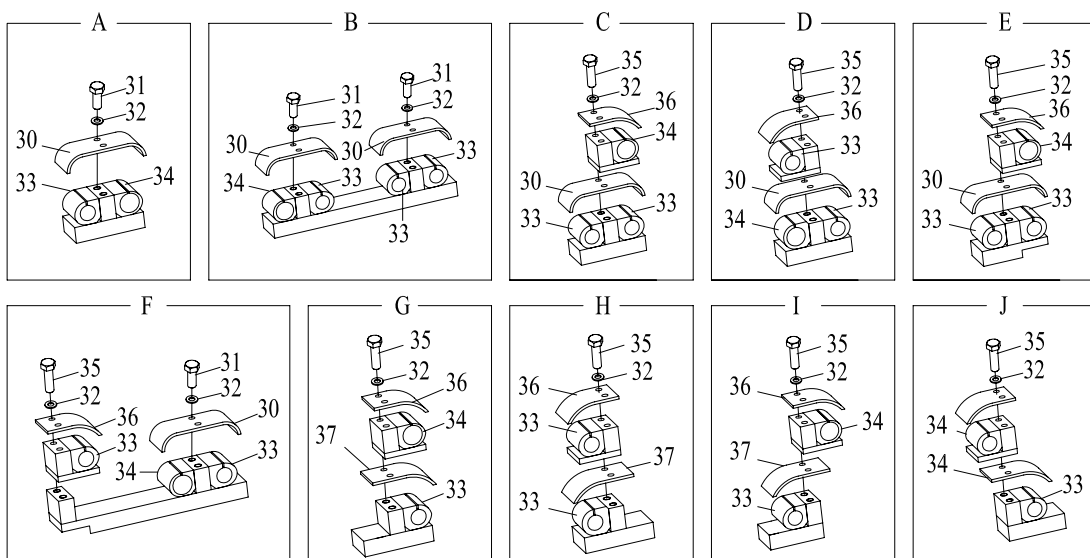
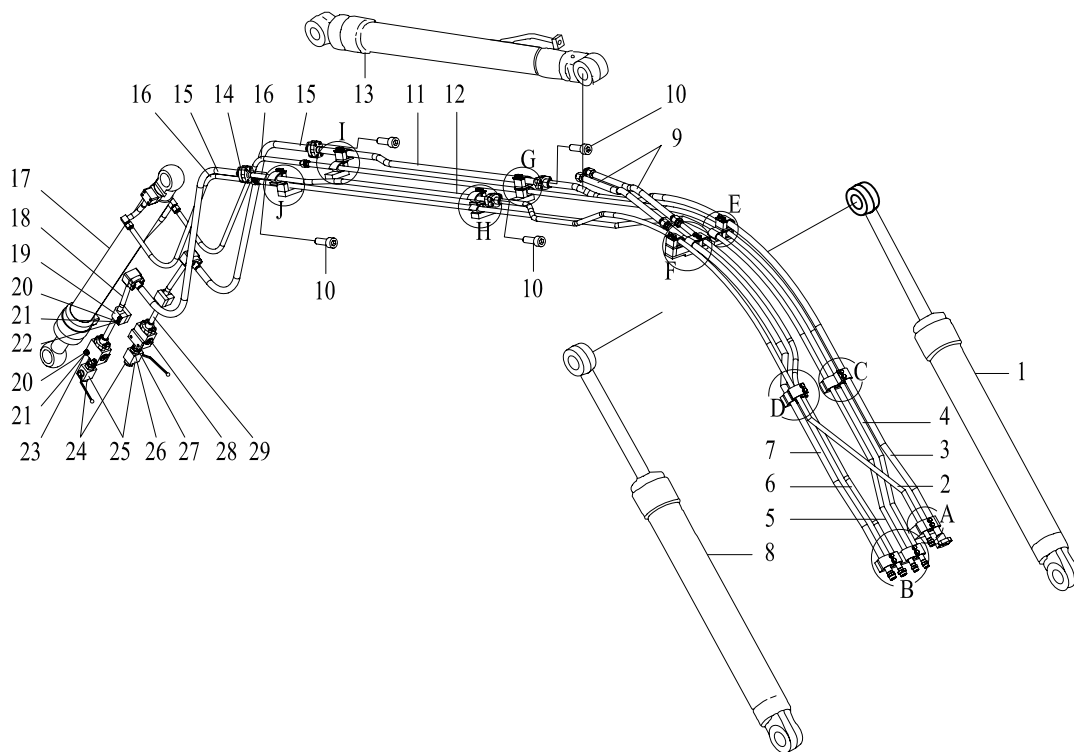




## 32 斗杆总成 ARM ASS'Y

序号 NO.	代码 S.C	代号 CODE	零件名称 PART NAME	PART NAME 零件名称	数量 QTY	备注 NOTE
1	30616000081	LG6150.16B.01	斗杆焊合	ARM WELDING	1	
2	30616100263	LG6150.15-08	调整垫 $\Phi 71 \times \Phi 120$	ADJUST SHIMS $\Phi 71 \times \Phi 120$	2组	
3	30616000067	LG6150.16.06	销轴 3	PIN 3	1	
4	56201000501	JB/T7940.1	油杯 PT1/8	GREASE FITTING PT1/8	6	
5	30615100306	LG6150.15-01	卡板	PLATE	2	
6	51421110121	GB/T97.1	垫圈 12	WASHER 12	4	
7	51204111222	GB/T5783	螺栓 M12 $\times$ 30	BOLT M12 $\times$ 30	4	
8	60980000063	VAW	防尘圈 $\Phi 70 \times \Phi 85 \times 6$	DUST SEAL $\Phi 70 \times \Phi 85 \times 6$	2	
9	30616100264	LG6150.15-10	钢套 $\Phi 70 \times \Phi 85 \times 74$	STEEL SLEEVE $\Phi 70 \times \Phi 85 \times 74$	2	
10	30616000066	LG6150.16.05	销轴 2	PIN 2	1	
11	30616100267	LG6150.16-07	调整垫 $\Phi 66 \times \Phi 110$	ADJUST SHIMS $\Phi 66 \times \Phi 110$	3组	
12	30616100310	LG6150.16-03	销轴 1	PIN 1	1	
13	30616100199	LG6150.16-01	左摇臂	LINK, L.H.	1	
14	51203132821	GB/T5782	螺栓 M16 $\times$ 120	BOLT M16 $\times$ 120	2	
15	30616000055	LG6150.16.08	右摇臂	LINK, R.H.	1	
16	51307001322	GB/T6170	螺母 M16	NUT M16	8	
17	30616100333	LG6150.16-10	销轴 4	PIN 4	1	
18	60980000299	VAW	防尘圈 $\Phi 65 \times \Phi 80 \times 6$	DUST SEAL $\Phi 65 \times \Phi 80 \times 6$	4	
19	30616100269	LG6150.16-09	钢套 3 $\Phi 65 \times \Phi 80 \times 58$	STEEL SLEEVE 3 $\Phi 65 \times \Phi 80 \times 58$	2	
20	60980000300	VAW	防尘圈 $\Phi 60 \times \Phi 75 \times 6$	DUST SEAL $\Phi 60 \times \Phi 75 \times 6$	8	
21	30616100268	LG6150.16-08	钢套 2 $\Phi 60 \times \Phi 75 \times 94$	STEEL SLEEVE 2 $\Phi 60 \times \Phi 75 \times 94$	2	
22	30615100391	LG6085.15-04	调整垫 $\Phi 61 \times \Phi 110$	ADJUST SHIMS $\Phi 61 \times \Phi 110$	3组	
23	30616100265	LG6150.16-02	钢套 1 $\Phi 60 \times \Phi 75 \times 74$	STEEL SLEEVE 1 $\Phi 60 \times \Phi 75 \times 74$	4	
24	56145047505	GB/T3452.1	O形圈 $\Phi 128 \times 7$	O-RING $\Phi 128 \times 7$	2	
25	30617100000	LG6150.17-07	调整垫 $\Phi 61 \times \Phi 110$	ADJUST SHIMS $\Phi 61 \times \Phi 110$	2组	
26	51203133121	GB/T5782	螺栓 M16 $\times$ 150	BOLT M16 $\times$ 150	2	
27	30617100155	LG6150.17-06	销轴	PIN	2	

### 33 工作装置管路 WORK EQUIPMENT LINES

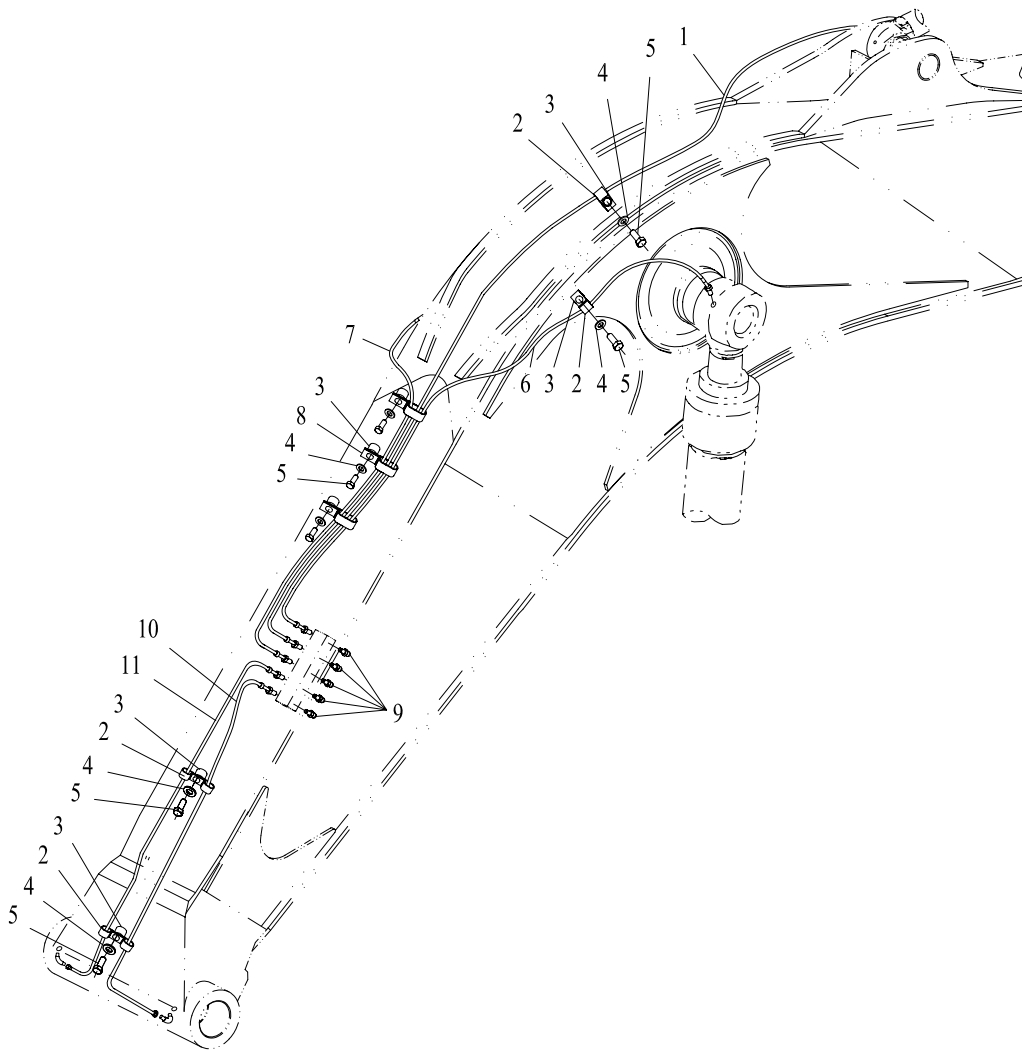


## 33 工作装置管路

## WORK EQUIPMENT LINES

序号 NO.	代码 S.C	代号 CODE	零件名称 PART NAME	PART NAME 零件名称	数量 QTY	备注 NOTE
1		H103465A1	动臂油缸（右）	BOOM CYLINDER R.H.	1	
2		LG6150.15.07A	钢管总成 5	PIPE ASS'Y 5	1	
3		LG6150.15.04	钢管总成 2	PIPE ASS'Y 2	1	
4		LG6150.15.06A	钢管总成 4	PIPE ASS'Y 4	1	
5		LG6150.15.05A	钢管总成 3	PIPE ASS'Y 3	1	
6		LG6150.15.08	钢管总成 6	PIPE ASS'Y 6	1	
7		LG6150.15.09A	钢管总成 7	PIPE ASS'Y 7	1	
8		H103465A1	动臂油缸（左）	BOOM CYLINDER L.H.	1	
9		F371C90C202012-850	软管总成	HOSE ASS'Y	2	
10		GB/T70.1	内六角螺钉 M10×35	HEXAGON SCREW M10×35	32	
11		LG6150.15.03	钢管总成 1	PIPE ASS'Y 1	1	
12		LG6150.15.10	钢管总成 8	PIPE ASS'Y 8	1	
13		H103464A1	斗杆油缸	ARM CYLINDER	1	
14		M2M2HK-12	法兰组件	FLANGE COMPONENT	4	
15		F4626A6A121212-	软管总成	HOSE ASS'Y	2	
16		1600-SG1600				
17		F371C9C908-1380-	软管总成	HOSE ASS'Y	2	
		PG1380				
		H103467A1	铲斗油缸	BUCKET CYLINDER	1	
18		LG6150.16.03	钢管 1	PIPE 1	1	
19		LG6150.16-06	管夹	PIPE CLAMP	2	
20		GB/T97.1	垫圈 10	WASHER 10	8	
21		GB/T93	垫圈 10	WASHER 10	8	
22		GB/T5782	螺栓 M10×70	BOLT M10×70	4	
23		GB/T5782	螺栓 M10×75	BOLT M10×75	4	
24		VSTI3/4EDA3C	堵头	PLUG	2	
25		KHB-G3/4-PN400	球阀	BALL VALVE	2	
26		EGE20SREDA3C	带螺母组合接头	COMBINED CONNECTOR	2	
27		GE20SREDOMDA3C	端直通接头	END STRAIGHT CONNECTOR	2	
28		LG6150.16-05	阀块	VALVE BLOCK	2	
29		LG6150.16.04	钢管 2	PIPE 2	1	
30		LG6150.15-06	管夹 3	PIPE CLAMP 3	7	
31		GB/T5783	螺栓 M10×45	BOLT M10×75	8	
32		GB/T93	垫圈 10	WASHER 10	24	
33		LG6150.15-05	橡胶护套 Φ22	RUBBER SLEEVE	18	
34		LG6150.15-03	橡胶护套 Φ28	RUBBER SLEEVE	8	
35		GB/T5782	螺栓 M10×95	BOLT M10×95	16	
36		LG6150.15-02	管夹 1	PIPE CLAMP 1	8	
37		LG6150.15-04	管夹 2	PIPE CLAMP 2	4	

### 34 动臂润滑管路 BOOM LUBRICATION PIPELINE



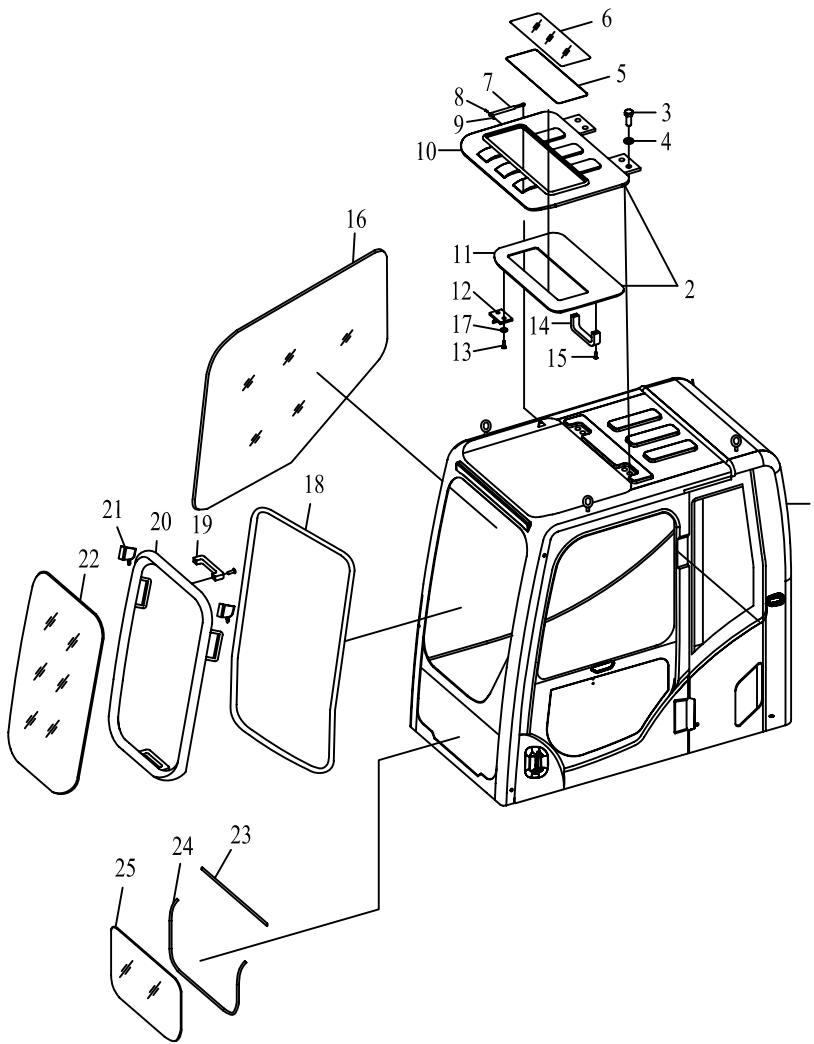
## 34 动臂润滑管路

**BOOM LUBRICATION LINES**

序号 NO.	代码 S.C	代号 CODE	零件名称 PART NAME	PART NAME 零件名称	数量 QTY	备注 NOTE
1		R1/8-30487- 2910R1/8	润滑管 2	LUBRICATION PIPE 2	1	
2		HSB-R10	软管夹	HOSE CLAMP	7	
3		LG6230.12.01.01-08	线夹安装座	CLIP MOUNTING	6	
4		GB/T97.1	垫圈 8	WASHER 8	6	
5		GB/T70.1	螺钉 M8×12	BOLT M8×12	6	
6		R1/8-30487- 2500R1/8	润滑管 1	LUBRICATION PIPE 1	1	
7		R1/8-30487- 2760R1/8	润滑管 3	LUBRICATION PIPE 3	1	
8		HSB-3R10	软管夹	HOSE CLAMP	3	
9		671004	油杯 PT1/8	GREASE FITTING PT1/8	5	
10		R1/8-30487- 1600R1/8(直角)	润滑管 5	LUBRICATION PIPE 5 (RIGHT ANGLE)	1	
11		R1/8-30487- 2000R1/8(直角)	润滑管 4	LUBRICATION PIPE 4 (RIGHT ANGLE)	1	

# 35 驾驶室 I

## OPERATOR'S CAB I

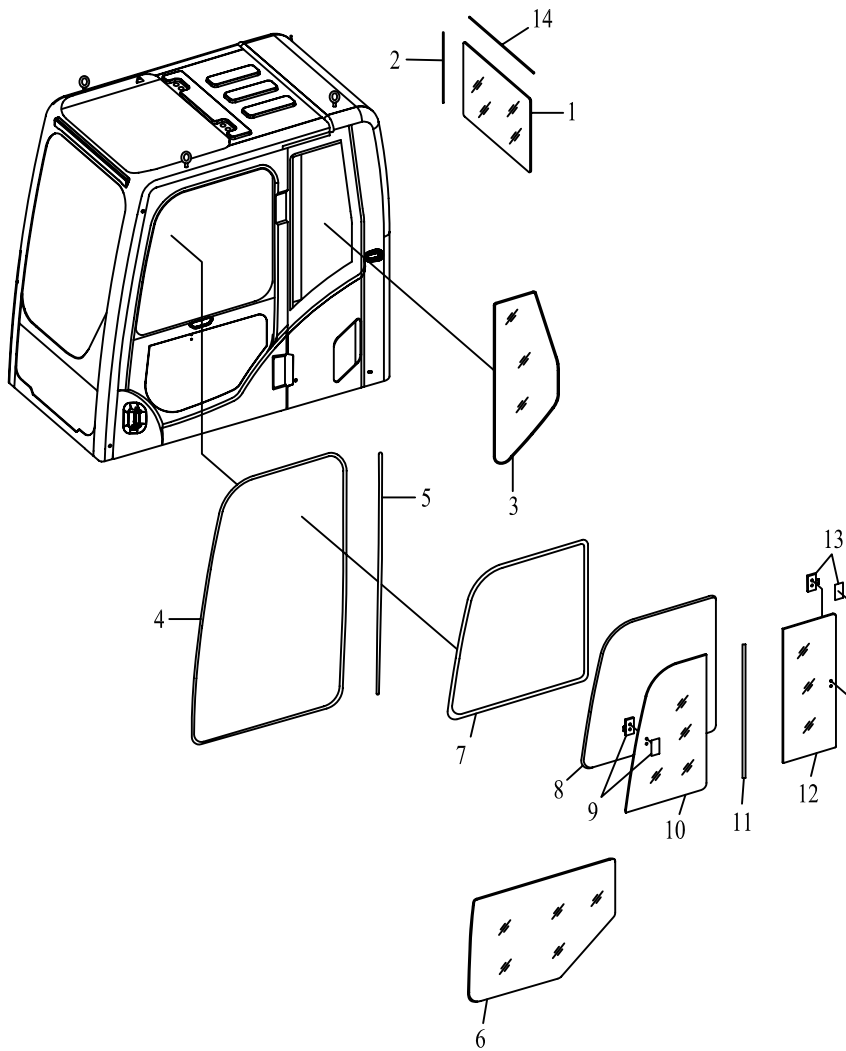


### 35 驾驶室 I CABIN I

序号 NO.	代码 S.C	代号 CODE	零件名称 PART NAME	PART NAME 零件名称	数量 QTY	备注 NOTE
1		YZ-ZWJSS-047A	驾驶室本体	BODY, CABIN	1	
2		YZLG21T-00002	天窗	TOP WINDOW	1	
3		GB/T5783	螺栓 M10×20	BOLT M10×20	4	
4		GB/T97.1	垫圈10	WASHER 10	4	
5		YZ-ZWJSS-002	天窗密封条	SEAL, TOP WINDOW	1	
6		YZ-ZWJSS-001	天窗玻璃	GLASS, TOP WINDOW	1	
7		YZ-ZWJSS-003	气弹簧	GAS SPRING	2	
8		YZ-ZWJSS-004	销	PIN	4	
9		GB/T91	开口销2×14	COTTER PIN 2×14	4	
10		YZ-ZWJSS-005	天窗框架	SASH, TOP WINDOW	1	
11		YZLG21T-00027	顶窗内饰	DECORATIVE PLATE	1	
12		YZ-ZWJSS-006	天窗锁扣	LOCK, TOP WINDOW	1	
13		GB/T70.2	内六角螺栓 M8×16	HEXAGON BOLT M8×16	2	
14		YZ-ZWJSS-007	天窗把手	HANDLE, TOP WINDOW	1	
15		GB/T70.2	螺栓 M6×12	BOLT M6×12	6	
16		YZ-ZWJSS-028	右侧玻璃	RIGHT SIDE GLASS	1	
17		GB/T97.1	垫圈8	WASHER 8	2	
18		YZ-ZWJSS-030	密封条	STRIP	1	
19		YZ-ZWJSS-031	推拉窗把手	CATCH, FRONT WINDOW	2	
20		YZ-ZWJSS-032	推拉窗框架	FRAME, FRONT WINDOW	1	
21		YZ-ZWJSS-052	移窗左右锁	LOCK, FRONT WINDOW	2	
22		YZ-ZWJSS-033	推拉窗玻璃	GLASS, FRONT WINDOW	1	
23		YZ-ZWJSS-053	上下挡连接条	SEAL	1	
24		YZ-ZWJSS-035	密封条	SEAL	1	
25		YZ-ZWJSS-034	前下方玻璃	LOWER GLASS, FRONT WINDOW	1	

# 36 驾驶室 II

## OPERATOR'S CAB II



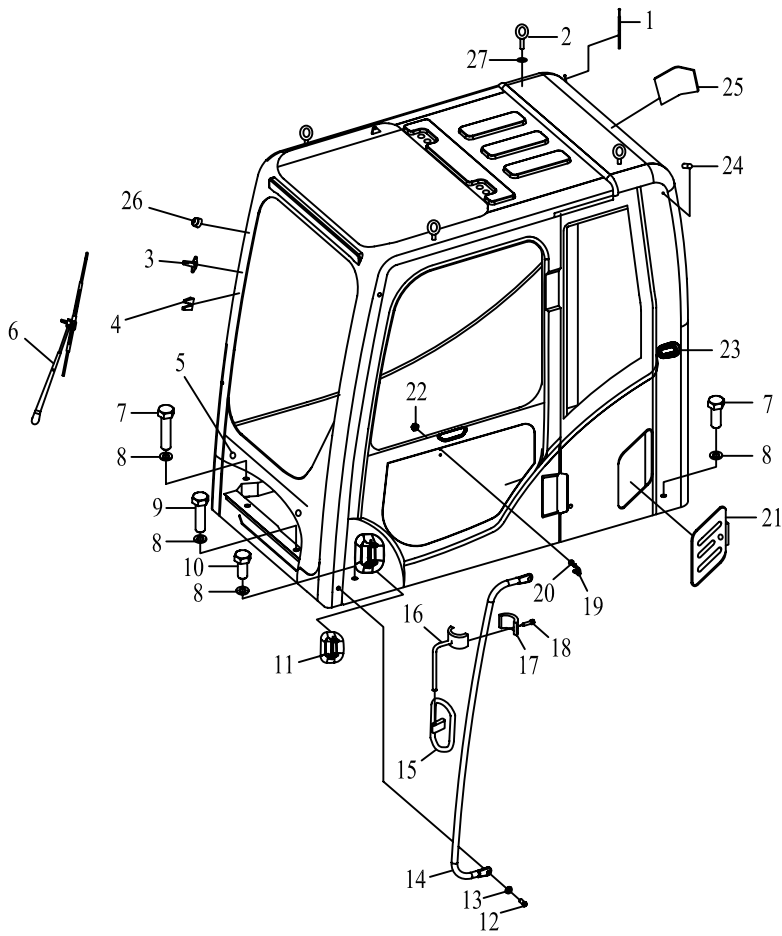


36 驾驶室 II  
CABIN II

序号 NO.	代码 S.C	代号 CODE	零件名称 PART NAME	PART NAME 零件名称	数量 QTY	备注 NOTE
1		YZ-ZWJSS-055	后挡风玻璃	BACK WINDSCREEN	1	
2		YZ-ZWJSS-046	型材 L 槽	TRIM	2	
3		YZ-ZWJSS-045	左后侧玻璃	LEFT SIDE GLASS, REAR	1	
4		YZ-ZWJSS-054	车门密封条	SEAL, DOOR	1	
5		YZ-ZWJSS-037	门立柱边型材	TRIM, DOOR	1	
6		YZ-ZWJSS-038	门下方玻璃	LOWER GLASS, DOOR	1	
7		YZ-ZWJSS-039	门上玻璃框架	SASH, DOOR UPPER	1	
8		YZ-ZWJSS-040	密封条	SEAL	1	
9		YZ-ZWJSS-041	前锁扣总成	LOCK ASS'Y, FRONT	1	
10		YZ-ZWJSS-042	门上方前玻璃	FRONT GLASS, DOOR UPPER	1	
11		YZ-ZWJSS-069	中间密封	SEAL	1	
12		YZ-ZWJSS-043	门上后玻璃	BACK GLASS, DOOR UPPER	1	
13		YZ-ZWJSS-044	后锁扣总成	LOCK ASS'Y, BACK	1	
14		YZ-ZWJSS-029	型材 L 槽	TRIM	2	

### 37 驾驶室 III

### OPERATOR'S CAB III

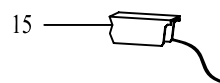
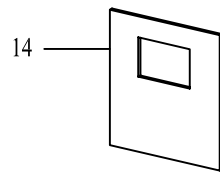
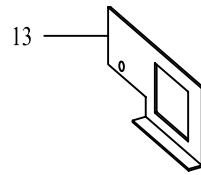
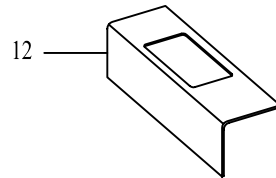
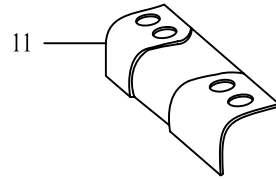
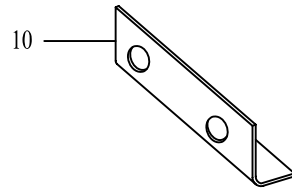
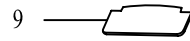
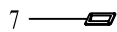
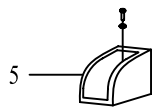
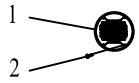
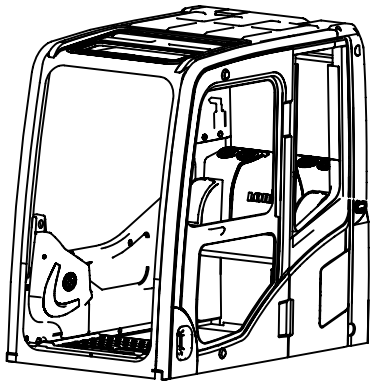


### 37 驾驶室 III CABIN III

序号 NO.	代码 S.C	代号 CODE	零件名称 PART NAME	PART NAME 零件名称	数量 QTY	备注 NOTE
1		YZ-ZWJSS-048	收音机天线总成	RADIO ANTENNA ASS'Y	1	
2		YZ-ZWJSS-008	吊环	LIFTING RING	4	
3		YZ-ZWJSS-056	喷嘴	NOZZLE	1	
4		YZ-ZWJSS-057	限位块	SPACER	1	
5		YZ-ZWJSS-058	下挡提手	HANDLE, LOWER	2	
6		YZ-ZWJSS-059	刮片总成	WIPER ASS'Y	1	
7		GB/T5783	螺栓 M16×60	BOLT M16×60	2	
8		GB/T97.1	垫圈16	WASHER 16	7	
9		GB/T5783	螺栓 M16×70	BOLT M16×70	2	
10		GB/T5783	螺栓 M16×40	BOLT M16×40	3	
11		YZ-ZWJSS-036	门锁总成	LOCK ASS'Y, DOOR	1	
12		GB/T5783	螺栓 M12×30	BOLT M12×30	2	
13		GB/T97.1	垫圈12	WASHER 12	2	
14		YZ-ZWJSS-009	外上车扶手	OUTER HANDRAIL	1	
15		YZ-ZWJSS-011	后视镜	BACK MIRROR	1	
16		YZ-ZWJSS-012	后视镜支架（前）	BACK MIRROR SUPPORT, (FRONT)	1	
17		YZ-ZWJSS-013	后视镜支架（后）	BACK MIRROR SUPPORT, (REAR)	1	
18		GB/T70.1	螺栓 M8×20	BOLT M8×20	1	
19		YZ-ZWJSS-014	碰锁扣	LOCK CATCH	1	
20		YZ-ZWJSS-015	橡胶垫	RUBBER PAD	2	
21		YZ-ZWJSS-016	外进气门总成	OUTER AIR INTAKE ASS'Y	1	
22		GB/T6170	螺母 M10	NUT M10	2	
23		YZ-ZWJSS-061	反锁	LOCK	1	
24		YZ-ZWJSS-062	反锁碰球	RUBBER STOPPER, LOCK	1	
25		YZ-ZWJSS-049	GPS 天线盖	GPS ANTENNA COVER	1	
26		YZ-ZWJSS-073	橡胶堵头 M12	RUBBER PLUG M12	6	
27		YZ-ZWJSS-074	橡皮垫12	RUBBER PAD 12	4	

# 38 驾驶室 IV

## OPERATOR'S CAB IV

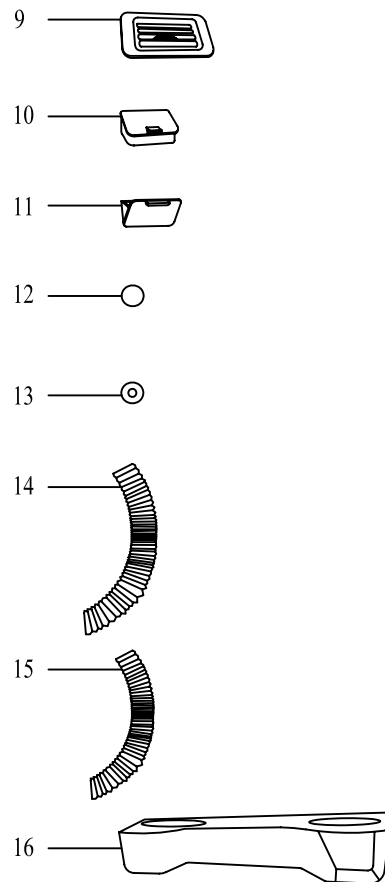
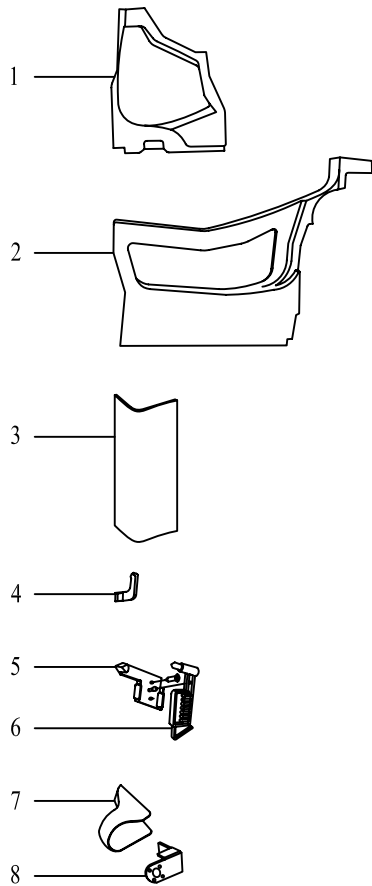
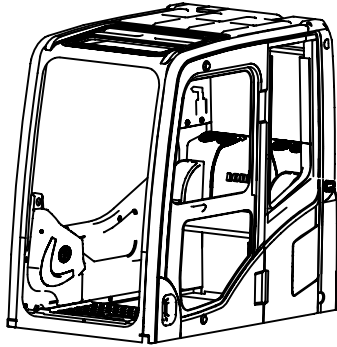


38 驾驶室 IV  
CABIN IV

序号 NO.	代码 S.C	代号 CODE	零件名称 PART NAME	PART NAME 零件名称	数量 QTY	备注 NOTE
1		YZ-ZWJSS-023	喇叭罩	HORN COVER	1	
2		GB/T15856.3	螺钉 M4×15	SCREW M4×15	8	
3		YZ-ZWJSS-063	移窗碰球	RUBBER STOPPER, FRONT WINDOW	2	
4		YZLG21T-00013	圆出风口	AIR OUTLET	5	
5		YZLG21T-00009	左杂物盒	STORAGE BOX (LEFT)	1	
6		YZLG21T-00008	右杂物盒	STORAGE BOX (RIGHT)	1	
7		YZ-ZWJSS-064	检修盖提扣	HANDLE, INSPECTION	1	
8		YZ-ZWJSS-078	检修板	PLATE, INSPECTION	1	
9		YZLG21T-00010	副驾驶坐垫	MATTRESS, COPILOT	1	
10		YZLG21T-00003	后顶棚	CEILING, BACK	1	
11		YZ-ZWJSS-050	空调罩板	COVER, AIR CONDITIONER	1	
12		YZLG21T-00006	空调罩	PANEL COVER, AIR CONDITIONER	1	
13		YZ-ZWJSS-051	空调下挡板	COVER PLATE, AIR CONDITIONER	1	
14		YZ-ZWJSS-070	隔热材料	THERMAL-PROTECTIVE MATERIAL	1	
15		YZ-ZWJSS-075	移窗平衡器	BALANCER, FRONT WINDOW	2	

# 39 驾驶室 V

## OPERATOR'S CAB V

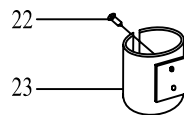
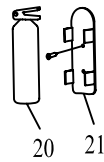
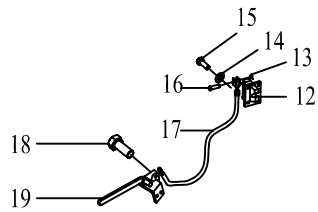
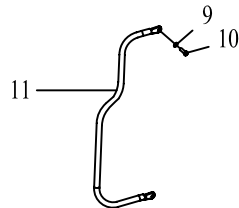
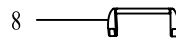
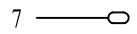
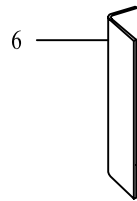
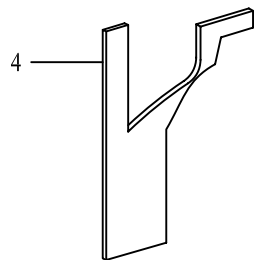
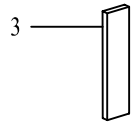
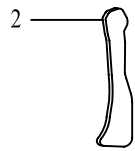
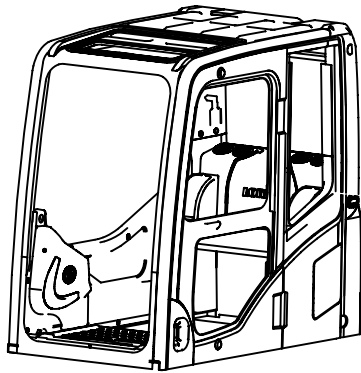


39 驾驶室 V  
CABIN V

序号 NO.	代码 S.C	代号 CODE	零件名称 PART NAME	PART NAME 零件名称	数量 QTY	备注 NOTE
1		YZLG21T-00004	前控箱	DECORATIVE PLATE, MONITOR	1	
2		YZLG21T-00005	右侧围	DECORATIVE PLATE, RIGHT SIDE	1	
3		YZLG21T-00026	右后立柱内饰	DECORATIVE PLATE, RIGHT REAR POST	1	
4		YZ-ZWJSS-022	衣帽钩	HAT & COAT HOOK	1	
5		YZ-ZWJSS-019	逃生锤座	ESCAPE HAMMER HOLDER	1	
6		YZ-ZWJSS-018	逃生锤	ESCAPE HAMMER	1	
7		YZLG21T-00016	显示器罩	COVER, MONITOR	1	
8		YZLG21T-00019	外置仪表支架	BRACKET, MONITOR	1	
9		YZLG21T-00014	方出风口	AIR OUTLET	1	
10		YZLG21T-00022	前控箱杂物盒	STORAGE BOX	1	
11		YZLG21T-00021	烟灰盒	ASH TRAY	1	
12		YZLG21T-00020	内饰扣帽	CAP	22	
13		YZ-ZWJSS-071	扣钉芯	PINTLE	22	
14		YZLG21T-00012	波纹管	BELLOWS	1	
15		YZLG21T-00011	波纹管	BELLOWS	1	
16		YZLG21T-00015	空调罩风道	AIR DUCT COVER	1	

# 40 驾驶室 VI

## OPERATOR'S CAB VI



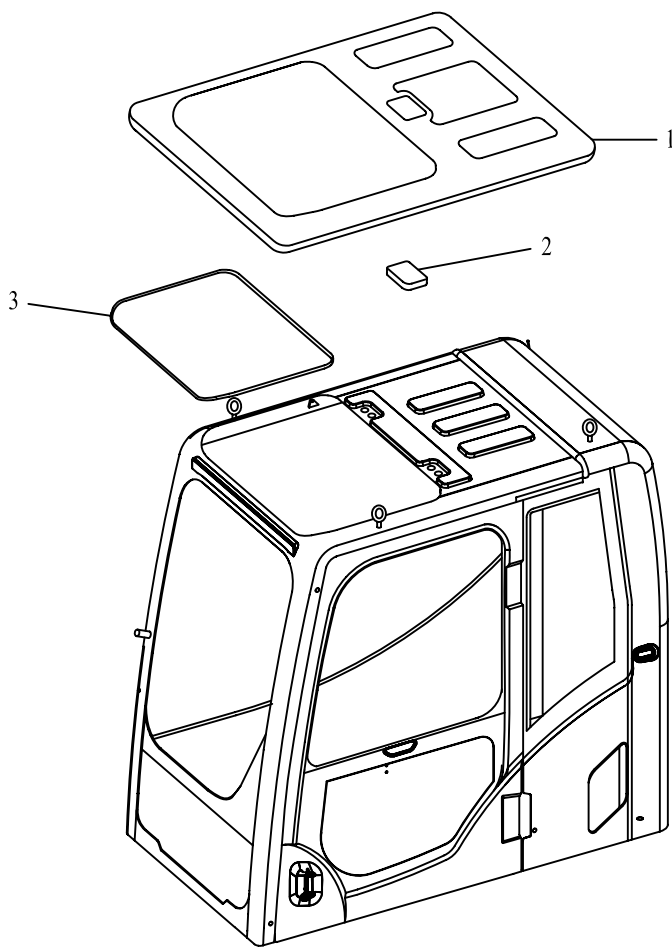


40 驾驶室 VI  
CABIN VI

序号 NO.	代码 S.C	代号 CODE	零件名称 PART NAME	PART NAME 零件名称	数量 QTY	备注 NOTE
1		YZ-ZWJSS-060	门内踏板	FLOOR SHEET	1	
2		YZ-ZWJSS-068	门锁盖板	COVER PLATE, DOOR LOCK	1	
3		YZLG21T-00024	左侧上围	DECORATIVE PLATE, LEFT SIDE (UPPER)	1	
4		YZLG21T-00007	左侧围	DECORATIVE PLATE, LEFT SIDE	1	
5		YZ-ZWJSS-067	后锁压杆盖板	COVER PLATE	1	
6		YZLG21T-00023	左后立柱内饰	DECORATIVE PLATE, LEFT REAR POST	1	
7		YZ-ZWJSS-066	后锁环堵头	PLUG	1	
8		YZ-ZWJSS-065	门把手	HANDLE, DOOR	1	
9		GB/T97.1	垫圈8	WASHER 8	3	
10		GB/T5783	螺栓 M8×20	BOLT M8×20	3	
11		YZ-ZWJSS-010	内上车扶手	INNER HANDRAIL	1	
12		YZ-ZWJSS-024	碰锁座	LOCK SEAT	1	
13		GB/T91	开口销2×14	COTTER PIN 2×14	1	
14		GB/T97.1	垫圈8	WASHER 8	4	
15		GB/T5783	螺栓 M8×16	BOLT M8×16	4	
16		YZ-ZWJSS-025	销	PIN	1	
17		YZ-ZWJSS-026	软轴总成	FLEXIBLE SHAFT ASS'Y	1	
18		GB/T5783	螺栓 M6×16	BOLT M6×16	3	
19		YZ-ZWJSS-027	碰锁把手	HANDLE, LOCK	1	
20		YZ-ZWJSS-021	灭火器	FIRE EXTINGUISHER	1	
21		YZ-ZWJSS-020	灭火器座	FIRE EXTINGUISHER HOLDER	1	
22		GB/T818	螺钉 M4×15	SCREW M4×15	4	
23		YZ-ZWJSS-017	茶杯座	CUP HOLDER	1	

# 41 驾驶室 VII

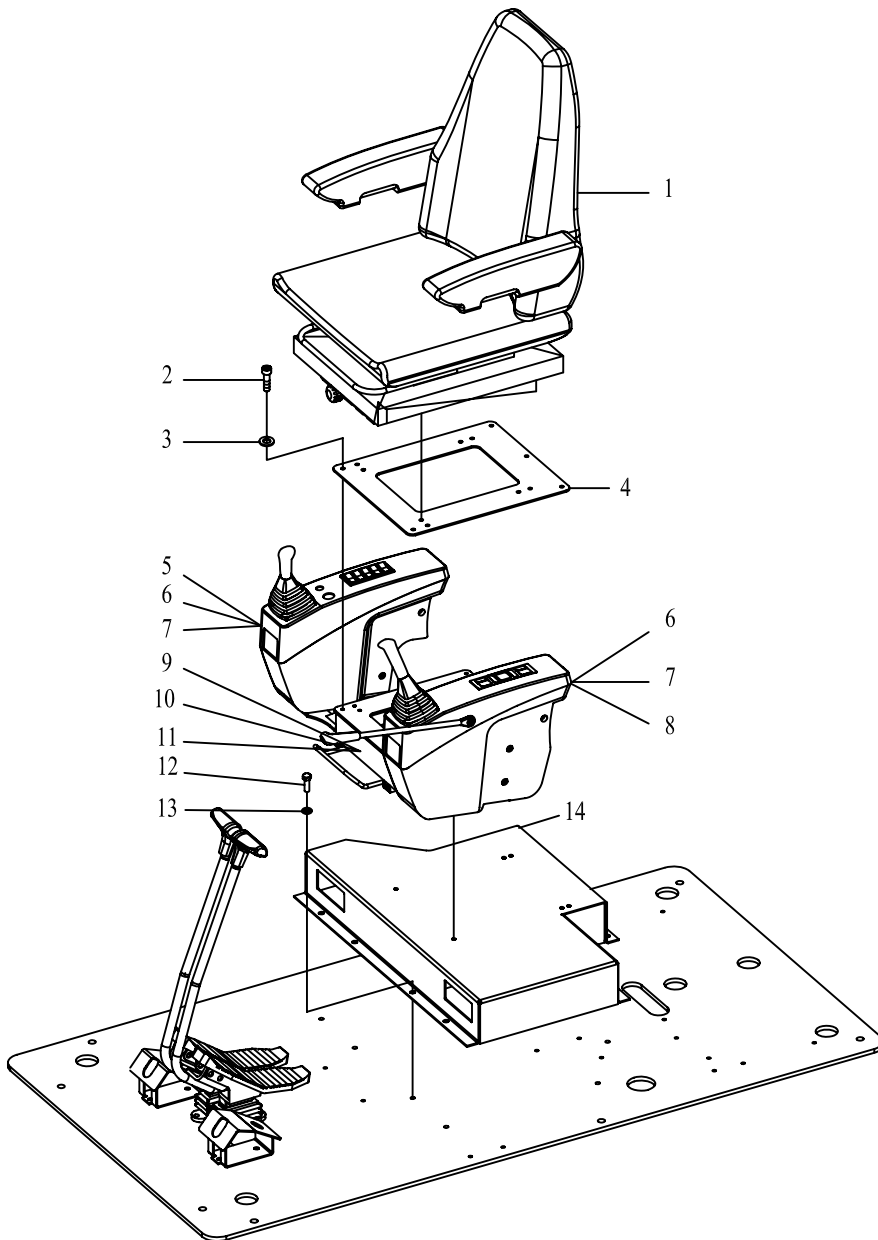
## OPERATOR'S CAB VII



41 驾驶室 VII  
CABIN VII

序号 NO.	代码 S.C	代号 CODE	零件名称 PART NAME	PART NAME 零件名称	数量 QTY	备注 NOTE
1		YZLG21T-00001	顶棚	CEILING	1	
2		YZLG21T-00025	驾驶室灯	CAB LAMP	1	
3		YZ-ZWJSS-072	天窗密封条	SEAL, TOP WINDOW	1	

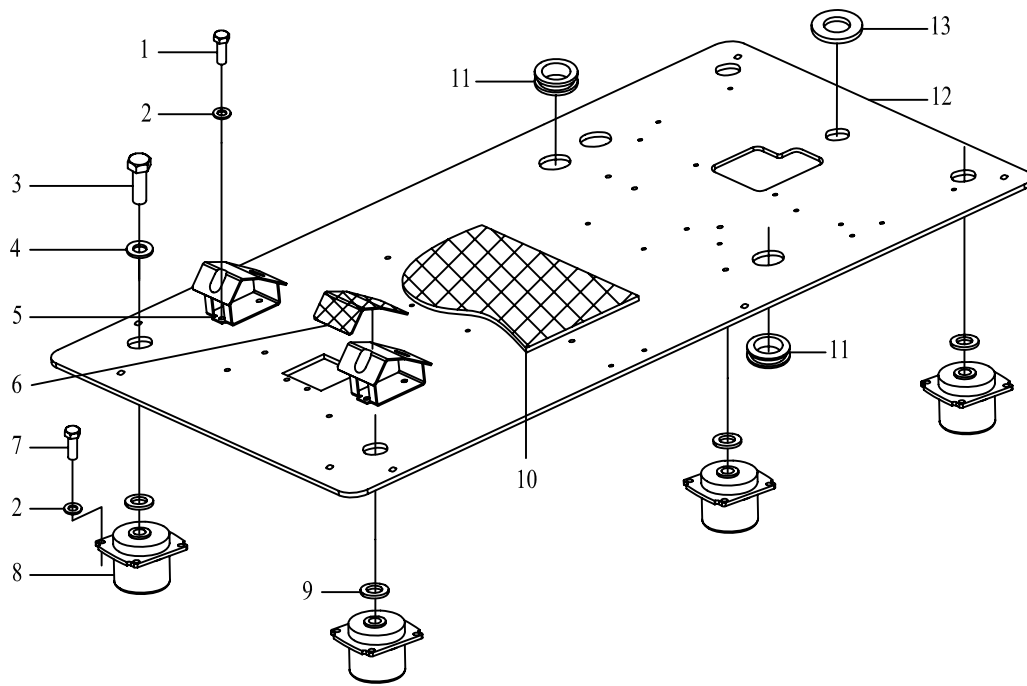
## 42 座椅安装 I SEAT MOUNTING I



42 座椅安装 I  
SEAT MOUNTING I

序号 NO.	代码 S.C	代号 CODE	零件名称 PART NAME	PART NAME 零件名称	数量 QTY	备注 NOTE
1	60920010010	2048951	座椅	SEAT	1	
2	51139210308	GB/T70.1	内六角螺钉 M8×16	HEXAGON SCREW M8×16	25	
3	51421090121	GB/T97.1	垫圈 8	WASHER 8	25	
4	30621100153	LG6230.21A-03	座椅安装板	SEAT MOUNTING PLATE	1	
5	60902000005	SD08009	右扶手箱	STAND CASE R.H.	1	
6	30621000042	LG6230.21A.04	左支架	LEFT BRACKET	2	
7	30621100152	LG6230.21A-02	垫板	SHIM PLATE	2	
8	60921010013	SD08007	左扶手箱	STAND CASE L.H.	1	
9	30621000041	LG6230.21A.03	滑座	SLIDE SEAT	1	
10	60980000052	2048090	上滑轨	UPPER SLIDEWAY	1	
11	60980000051	2048089	下滑轨	LOWER SLIDEWAY	1	
12	51204101022	GB/T5783	螺栓 M10×20	BOLT M10×20	20	
13	51421100121	GB/T97.1	垫圈 10	WASHER 10	20	
14	30621000046	LG6230.21A.06	座椅底座	SEAT BASE	1	

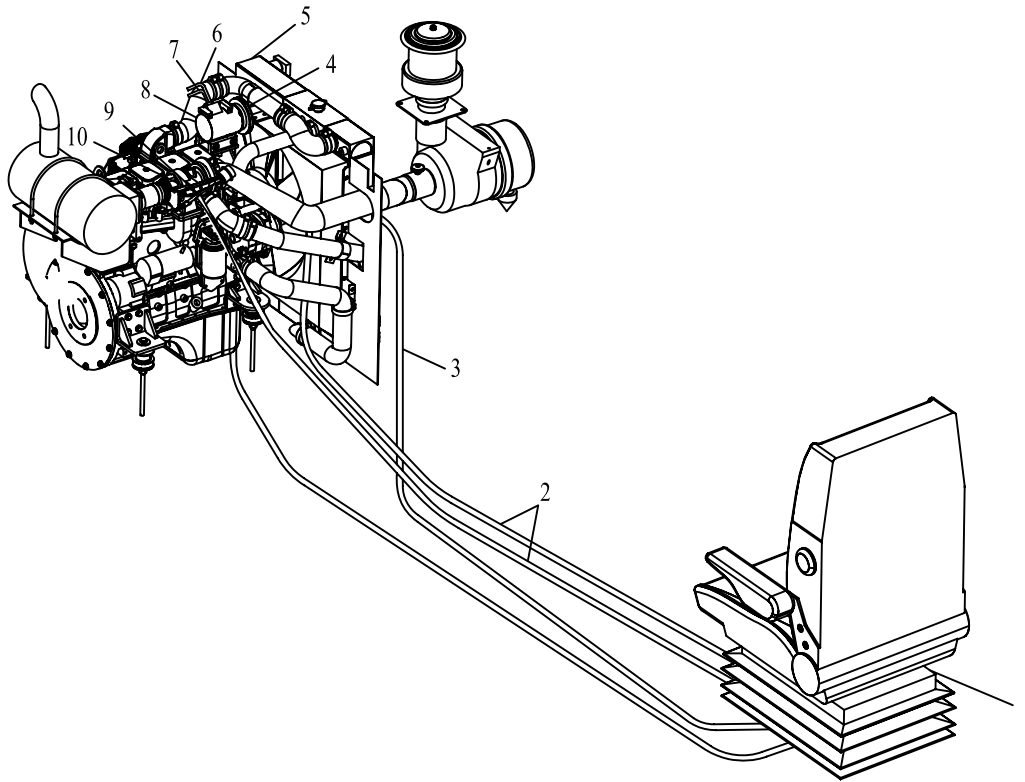
## 43 座椅安装 II SEAT MOUNTING II



43 座椅安装 II  
SEAT MOUNTING II

序号 NO.	代码 S.C	代号 CODE	零件名称 PART NAME	PART NAME 零件名称	数量 QTY	备注 NOTE
1	51204101022	GB/T5783	螺栓 M10×20	BOLT M10×20	4	
2	51421100121	GB/T97.1	垫圈 10	WASHER 10	20	
3	51204133722	GB/T5783	螺栓 M16×40	BOLT M16×40	4	
4	51427130122	GB/T1230	垫圈 16	WASHER 16	4	
5	30621000043	LG6230.21A.05	踏板	PEDAL	2	
6	60919010105	100112	橡胶脚踏	RUBBER PEDAL	2	
7	51204101122	GB/T5783	螺栓 M10×25	BOLT M10×25	16	
8	60922010013	Y20-26-1160	减震器	DAMPER	4	
9	30621100059	LG6230.21A-01	垫圈	WASHER	4	
10	30621100093	CDM6210.19.04-03 A	橡皮地垫	RUBBER MAT	1	
11	30605100071	CDM6210.14.04-01	胶管护套	HOSE SLEEVE	2	
12	30621000028	LG6230.21.01	底板焊合	BOARD WELDMENT	1	
13	30621100154	LG6230.21A-04	防尘圈	DUST SEAL	2	

44 空调系统  
AIR CONDITIONER ASS'Y



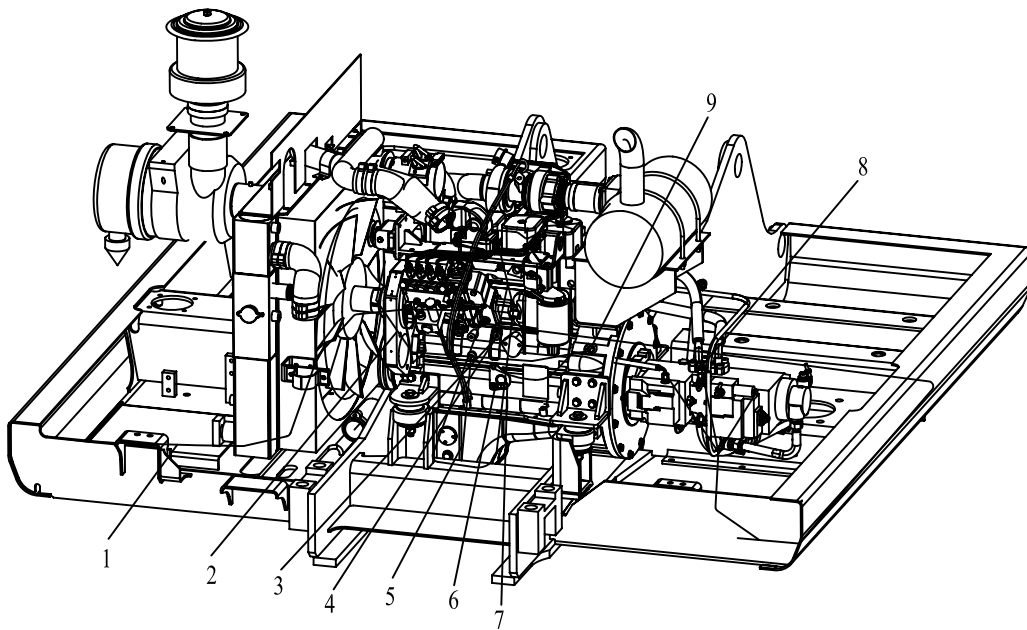


## 44 空调系统

## AIR CONDITIONER ASS'Y

序号 NO.	代码 S.C	代号 CODE	零件名称 PART NAME	PART NAME 零件名称	数量 QTY	备注 NOTE
1	30608000095	LG6230.08A.02	空调单元总成	AIR CONDITIONER SUBASS'Y	1	
2	60911010124	L3500	车用空调热水管	HOT WATER PIPE, AIR	2	
3	60911011109	SG445210-6260	液体软管(带压力开关)	LIQUID HOSE (WITH PRESSURE SWITCH)	1	
4	60206000179	A67	皮带	BELT	1	
5	30608000049	LG6150.08.02	冷凝器总成	CONDENSER ASS'Y	1	
6	60911011108	SG445320-1130	排气软管	EXHAUST HOSE	1	
7	60911011110	SG445350-8100	吸气软管	AIR INTAKE HOSE	1	
8	30608000026	LG6150.08A.01	压缩机总成	COMPRESSOR ASS'Y	1	
9	30608000096	LG6230.08A.03	铰接接头	HINGED CONNECTOR	2	
10	30608100168	LG6150.08A-01	铰接螺栓	HINGED BOLT	2	

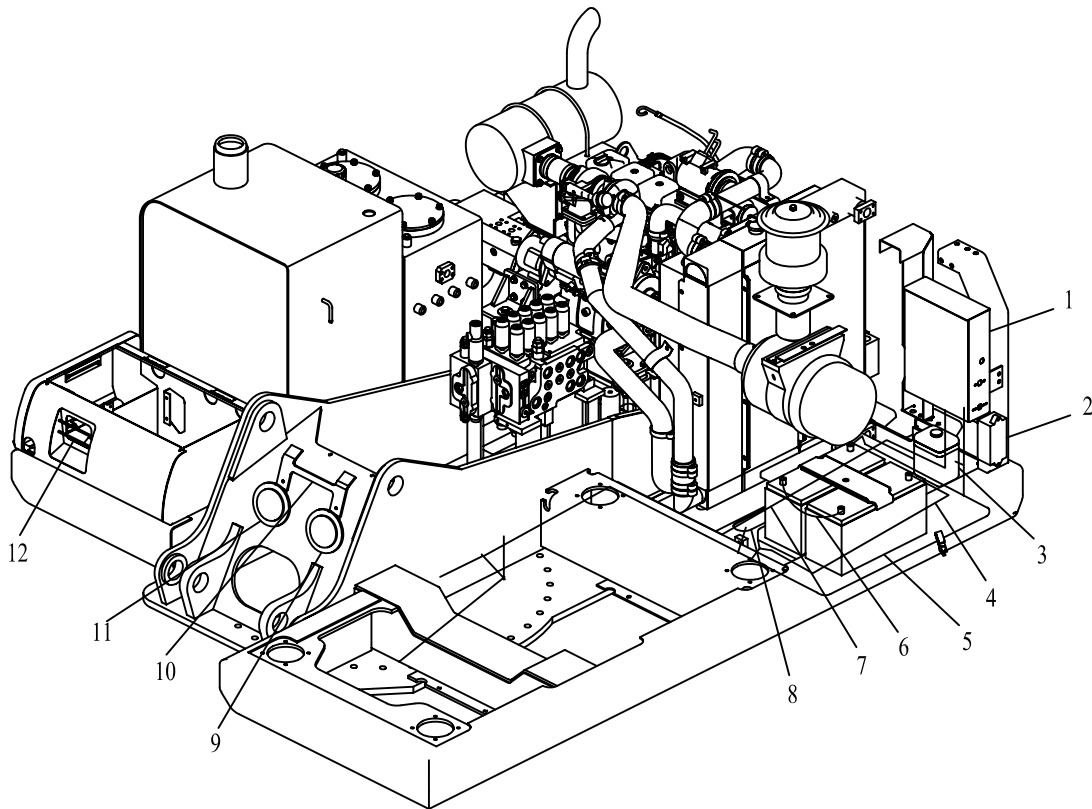
45 电气系统 I  
ELECTRICAL SYSTEM I



45 电气系统 I  
ELECTRICAL SYSTEM I

序号 NO.	代码 S.C	代号 CODE	零件名称 PART NAME	PART NAME 零件名称	数量 QTY	备注 NOTE
1	30607000244	LG6150.07A.01.01	车身线束	MACHINE BODY WIRING HARNESS	1	
2	30607000317	LG6150.07A.01.13	启动机搭铁线	START ENGINE EARTHING CABLE	1	
3	60405020023	3967251	机油压力开关	ENGINE OIL PRESSURE SWITCH	1	
4	60911010087	22587-1	过渡接头	TRANSITION CONNECTOR	1	
5	30607000320	LG6150.07A.01.21	发动机搭铁线	ENGINE EARTHING CABLE	1	
6	30607100046	LG6150.07.02-01	固定支架	MOUNTING BRACKET	1	
7	60480050001	3700916	线夹	CLIP	13	
8	60402020009	060G1411	低压压力传感器	LOW PRESSURE SENSOR	3	
9	60402020012	340-804-007-004C	转速传感器	SPEED SENSOR	1	

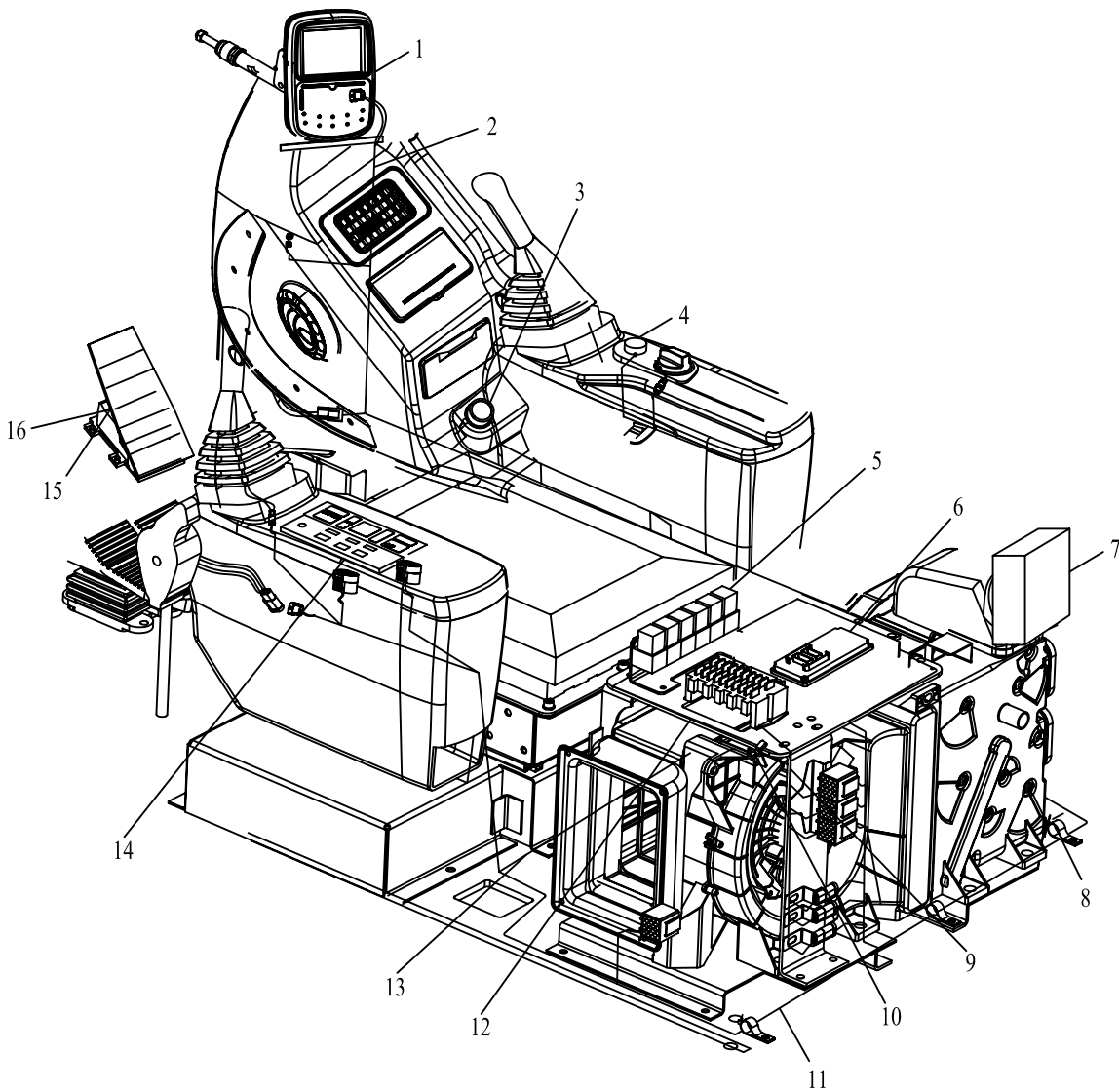
46 电气系统 II  
ELECTRICAL SYSTEM II



46 电气系统 II  
ELECTRICAL SYSTEM II

序号 NO.	代码 S.C	代号 CODE	零件名称 PART NAME	PART NAME 零件名称	数量 QTY	备注 NOTE
1	30607000322	LG6150.07A.02.01	电控箱组件	ELECTRIC CABINET COMPONENTS	1	
2	60302000007	AC2/1500	油门马达	THROTTLING MOTOR	1	
3	60980000012	XD206	洗涤剂总成	WASHER ASS'Y	1	
4	30607000316	LG6150.07A.01.11	蓄电池搭铁线	ACCUMULATOR EARTHING CABLE	1	
5	30607000043	CDM6210.02.10.06	电瓶总成	BATTERY COMPONENTS	1	
6	30607000315	LG6150.07A.01.10	蓄电池连接线	ACCUMULATOR LINE	1	
7	30607000251	LG6150.07A.01.08	启动电缆	START LABLE	1	
8	60405020244	714S-27-4B-312R	压力开关	PRESSURE SWITCH	1	
9	60401050005	3CA004811-031	喇叭	HORN	1	
10	30607100108	LG6150.07.03-02	喇叭安装板	MOUNTING PLATE, HORN	1	
11	60401050004	3CA004811-021	喇叭	HORN	1	
12	60402050009	Y-204	平台工作灯	PLATE LAMP	1	

47 电气系统 III  
ELECTRICAL SYSTEM III

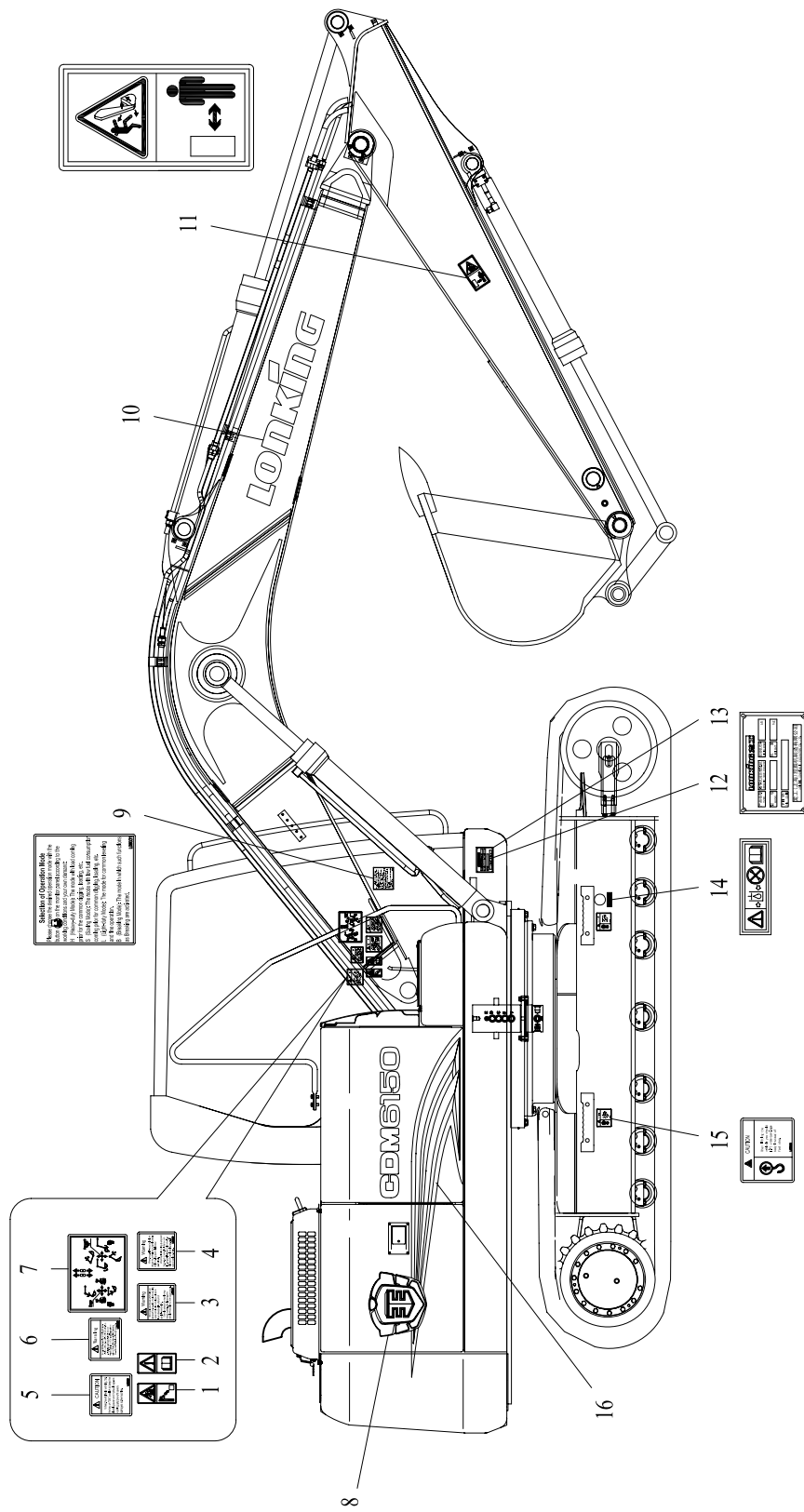


47 电气系统 III  
ELECTRICAL SYSTEM III

序号 NO.	代码 S.C	代号 CODE	零件名称 PART NAME	PART NAME 零件名称	数量 QTY	备注 NOTE
1	60401040002	LG-VA620D3	显示器	DISPLAY	1	
2	30607000246	LG6150.07A.01.03	显示器线束	DISPLAY WIRING HARNESS	1	
3	60406080002	8EZ008021-011	点烟器	LIGHTER	1	
4	60405020021	894402-5000	钥匙开关	KEY SWITCH	1	
5	60405030028	4RD933332-097	中间继电器	MIDDLE RELAY	7	
6	60403010004	LG-VA620C1	主控制器	MAIN CONTROLLER	1	
7	60403020002	504032001	GPS 终端	GPS	1	
8	60911010031	3700940	线夹	CLIP	8	
9	30607000247	LG6150.07A.01.04	保险线束	FUSE WIRING HARNESS	1	
10	60911010030	3700920	线夹	CLIP	2	
11	30607000249	LG6150.07A.01.06	空调线束	AIR CONDITIONER WIRING HARNESS	1	
12	30607000248	LG6150.07A.01.05	继电器线束	RELAY CABLE	1	
13	30607000245	LG6150.07A.01.02	驾驶室线束	CABIN WIRING HARNESS	1	
14	60401060002	TK-B30	收音机	RADIO	1	
15	60405020025	JCY-02	破碎锤开关	BREAKER SWITCH	1	
16	30607100051	CDM6210.02.10-09	衬套	BUSH	3	

# 48 铭牌安置图 I

## NAMEPLATE RECOGNITION I



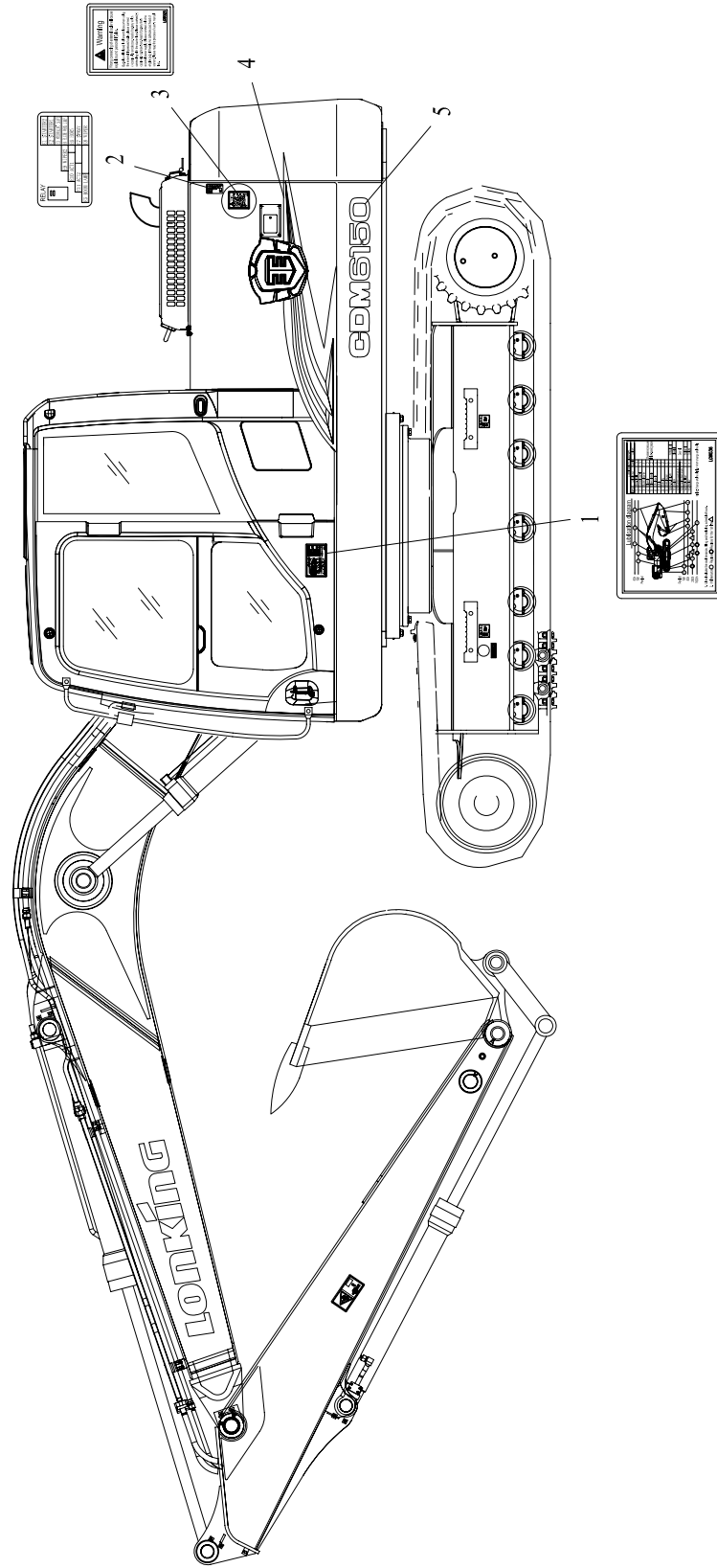


48 铭牌安置图 I  
NAMEPLATE RECOGNITION I

序号 NO.	代码 S.C	代号 CODE	零件名称 PART NAME	PART NAME 零件名称	数量 QTY	备注 NOTE
1	30622100260	LG6230.22A-08	警告标识	WARNING MARK	1	
2	30622100261	LG6230.22A-09	警告标识	WARNING MARK	1	
3	30622100247	CDM6235.22-05	警告标志	WARNING MARK	1	
4	30622100255	CDM6235.22-06	警告标志	WARNING MARK	1	
5	30622100258	CDM6235.22-08	注意标志	CAUTION MARK	1	
6	30622100257	CDM6235.22-07	警告标志	WARNING MARK	1	
7	30622100224	LG6230.22A-14	操作图示	OPERATION INSTRUCTION	1	
8	30622100355	CDM6150.22-06	效率王标志	EFFICIENCY LOGO	2	
9	30622100268	CDM6235.22-09	作业模式选择	MODE SELECTION	1	
10	30622100210	CDM6150.22-04	动臂大商标	BOOM LOGO	2	
11	30622100228	LG6230.22A-18	危险标识	DANGER MARK	2	
12	30622100407	CDM6235.22-24	铭牌	NAMEPLATE	1	
13	51569000601	GB/T12618.1	抽芯铆钉4×10	SELF-PLUGGINGRIVET 4×10	4	
14	30622100240	LG6230.22A-29	警告标识	WARNING MARK	1	
15	30622100284	CDM6235.22-23	标志	LIFTING MARK	4	
16	30622100105	LG6150.22A-03	6150效率王标识一	6150 EFFICIENCY LOGO 1	1	

49 铭牌安置图 II

NAMEPLATE RECOGNITION II

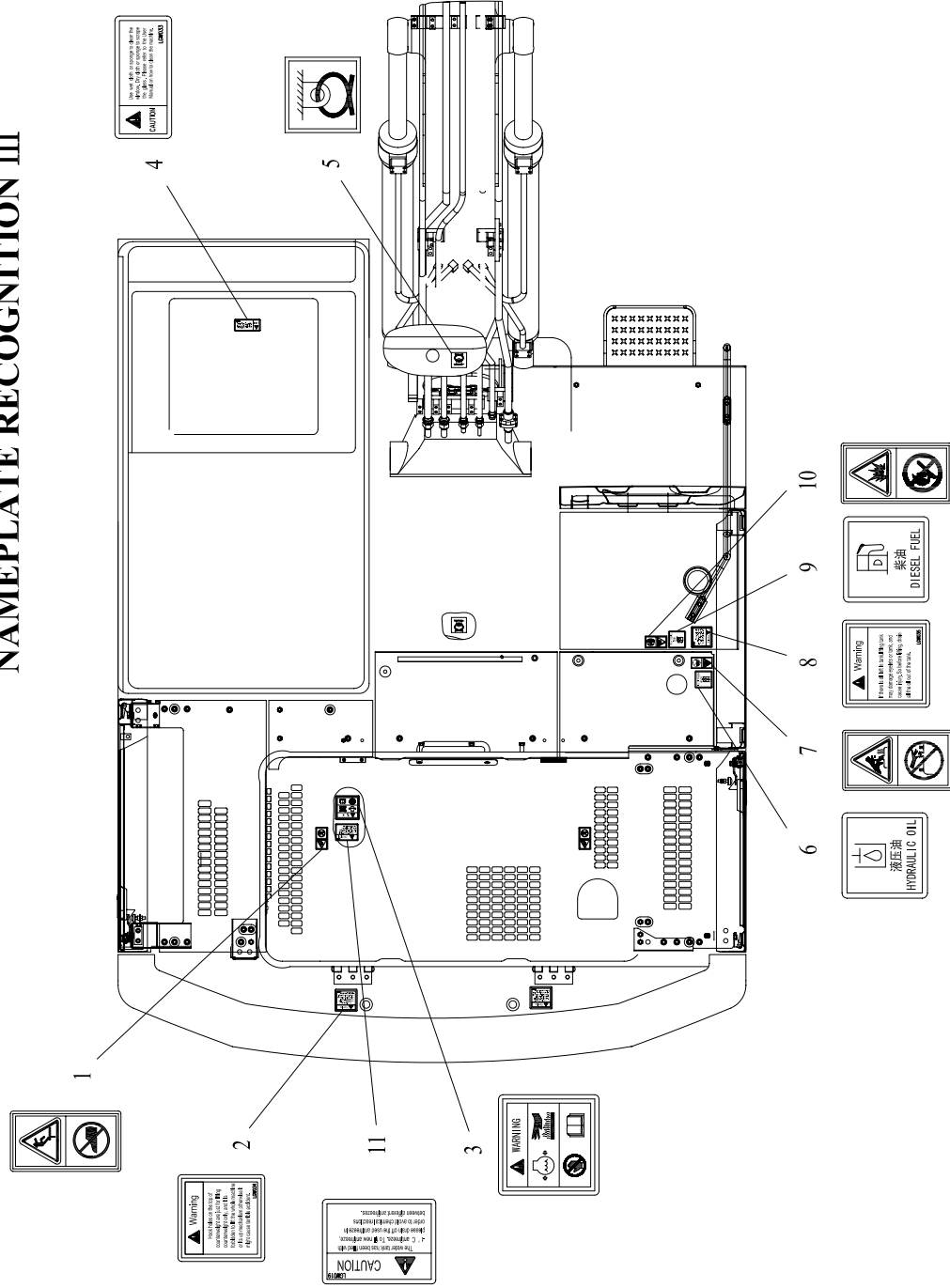


49 铭牌安置图 II  
NAMEPLATE RECOGNITION II

序号 NO.	代码 S.C	代号 CODE	零件名称 PART NAME	PART NAME 零件名称	数量 QTY	备注 NOTE
1	30622100352	CDM6150.22-01	润滑图表	LUBRICATING DIAGRAM	1	
2	30622100353	CDM6150.22-02	继电器图示	RELAY DIAGRAM	1	
3	30622100270	CDM6235.22-11	警告标志	WARNING MARK	1	
4	30622100107	LG6150.22A-05	6150效率王标志二	6150 EFFICIENCY LOGO II	1	
5	30622100354	CDM6150.22-03	型号	MODEL	2	

# 50 铭牌安置图 III

## NAMEPLATE RECOGNITION III



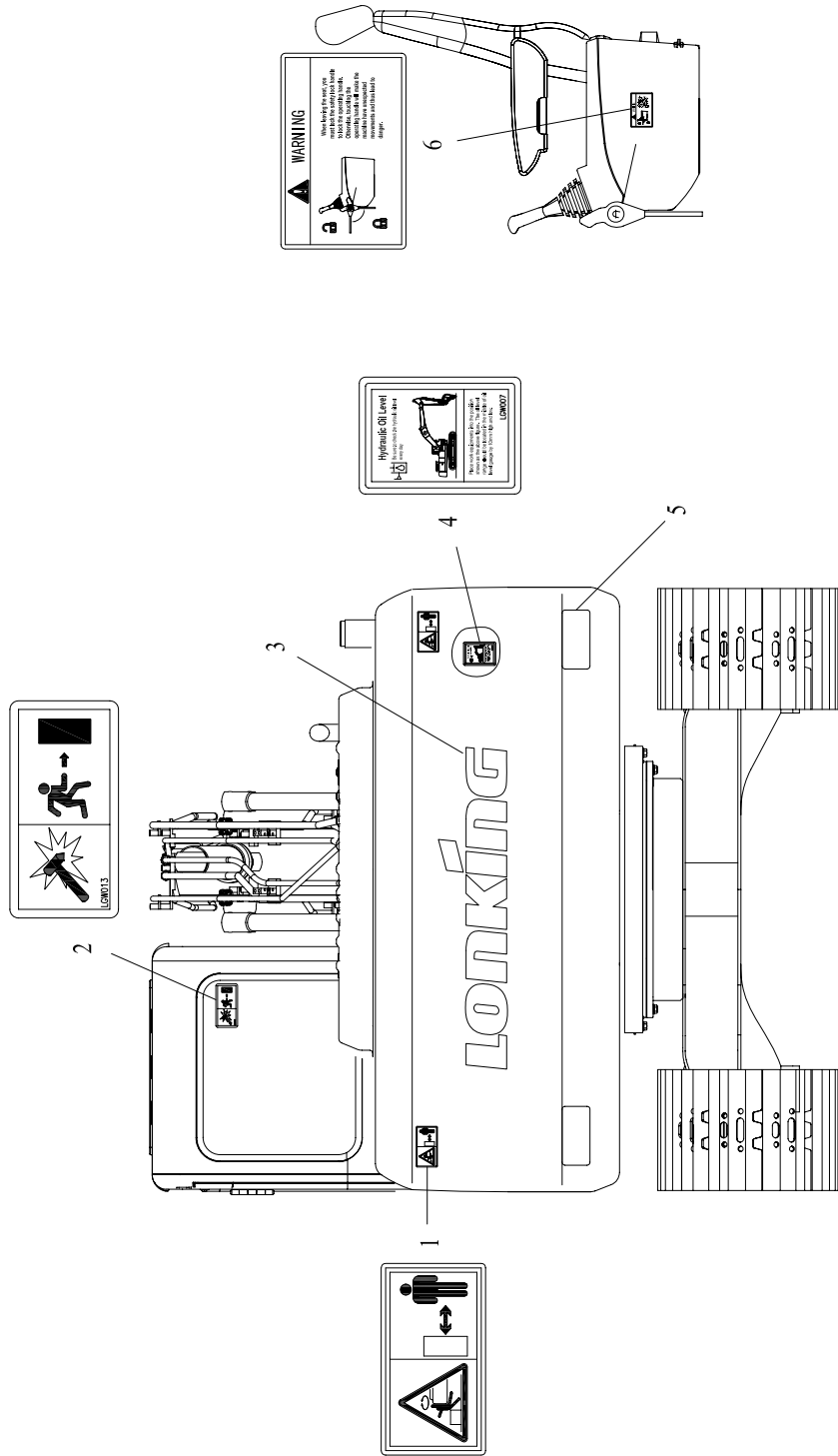
## 50 铭牌安置图 III

## NAMEPLATE RECOGNITION III

序号 NO.	代码 S.C	代号 CODE	零件名称 PART NAME	PART NAME 零件名称	数量 QTY	备注 NOTE
1	30622100246	LG6230.22A-34	警告标识	WARNING MARK	2	
2	30622100274	CDM6235.22-15	警告标志	WARNING MARK	2	
3	30622100275	CDM6235.22-16	警告标志	WARNING MARK	1	
4	30622100272	CDM6235.22-13	注意标志	CAUTION MARK	1	
5	30622100238	LG6230.22A-27	整车牵引标识	TRACTION MARK FOR ENTIRE CAR	2	
6	30622100250	LG6230.22A-37	标志	MARK	1	
7	30622100249	LG6230.22A-36	警告标志	WARNING MARK	1	
8	30622100276	CDM6235.22-17	警告标志	WARNING MARK	1	
9	30622100252	LG6230.22A-39	标志	MARK	1	
10	30622100251	LG6230.22A-38	警告标志	WARNING MARK	1	
11	30622100273	CDM6235.22-14	注意标志	CAUTION MARK	1	

# 51 铭牌安置图 IV

## NAMEPLATE RECOGNITION IV



## 51 铭牌安置图 IV

## NAMEPLATE RECOGNITION IV

序号 NO.	代码 S.C	代号 CODE	零件名称 PART NAME	PART NAME 零件名称	数量 QTY	备注 NOTE
1	30622100229	LG6230.22A-19	危险标志	DANGER MARK	2	
2	30622100233	LG6230.22A-22	逃生标志	ESCAPE MARK	1	
3	30622100104	LG6150.22A-02	大商标	MASTER LOGO	1	
4	30622100279	CDM6235.22-20	注意标志	CAUTION MARK	1	
5	30622100236	LG6230.22A-25	反光标志	REFLECTOR MARK	2	
6	30622100278	CDM6235.22-19	警告标志	WARNING MARK	1	